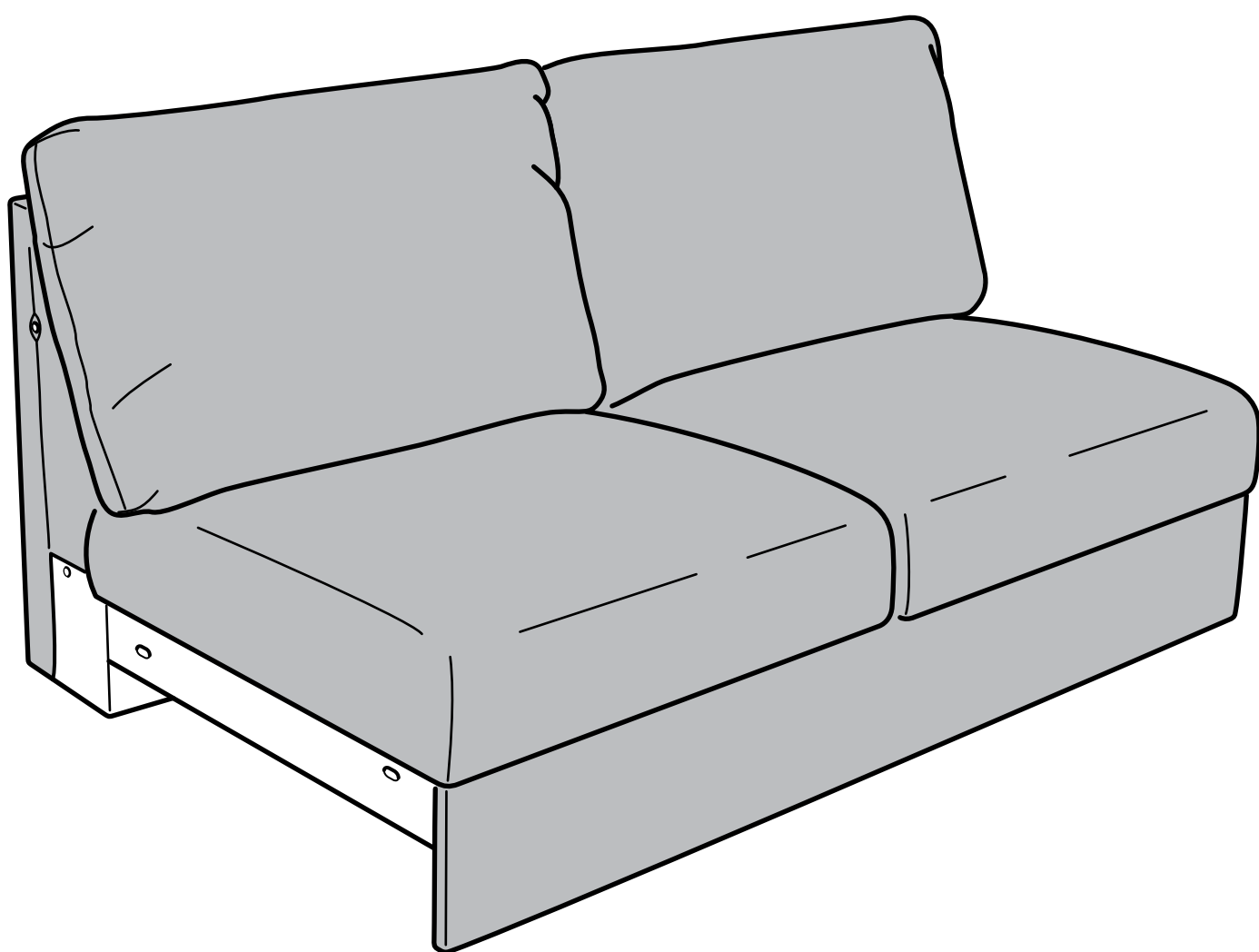
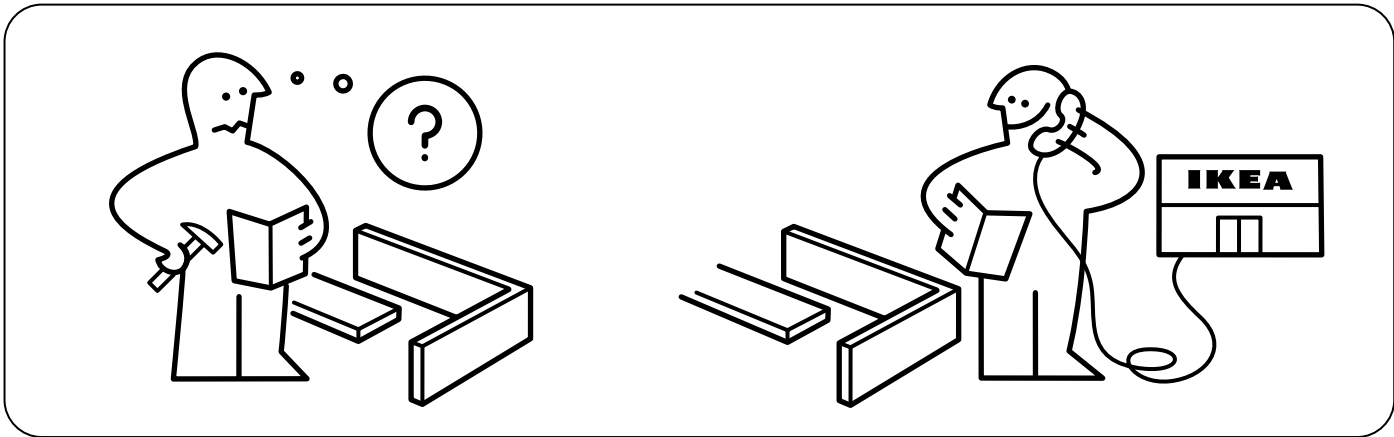
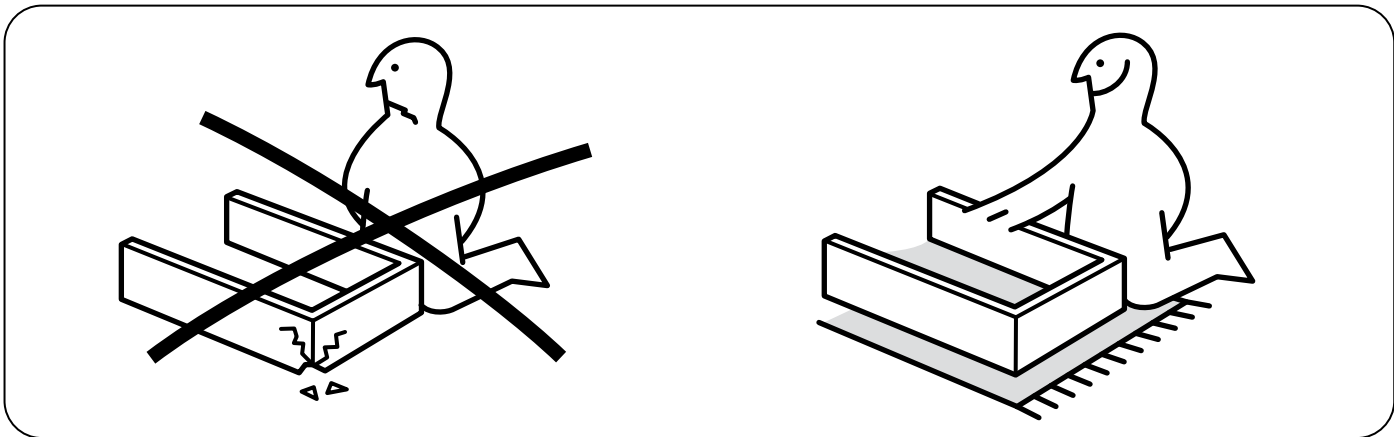
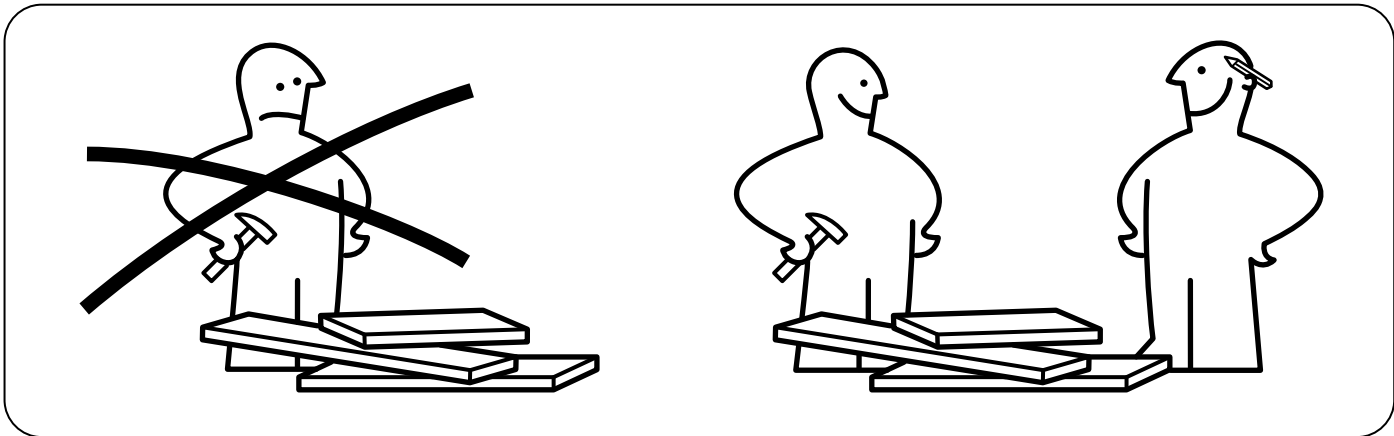
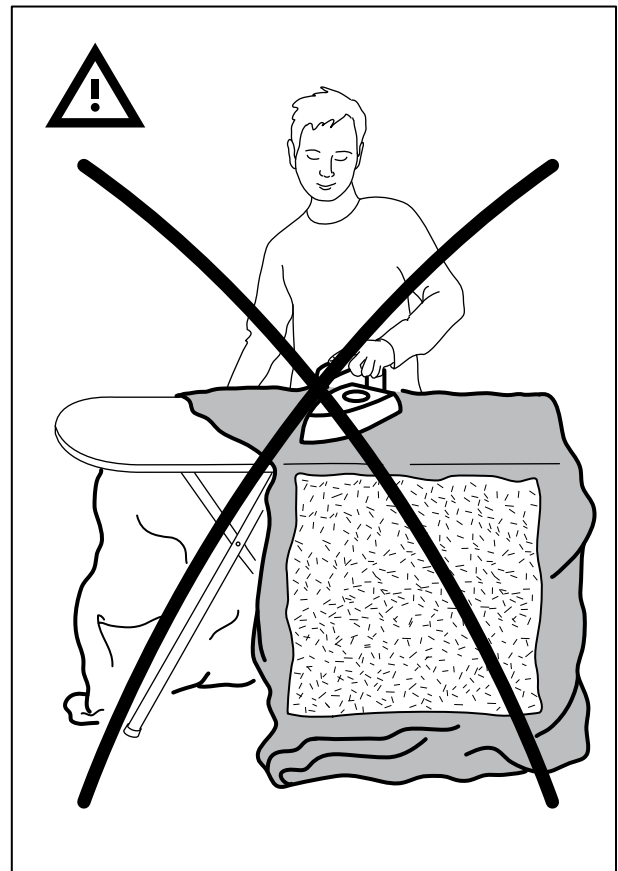
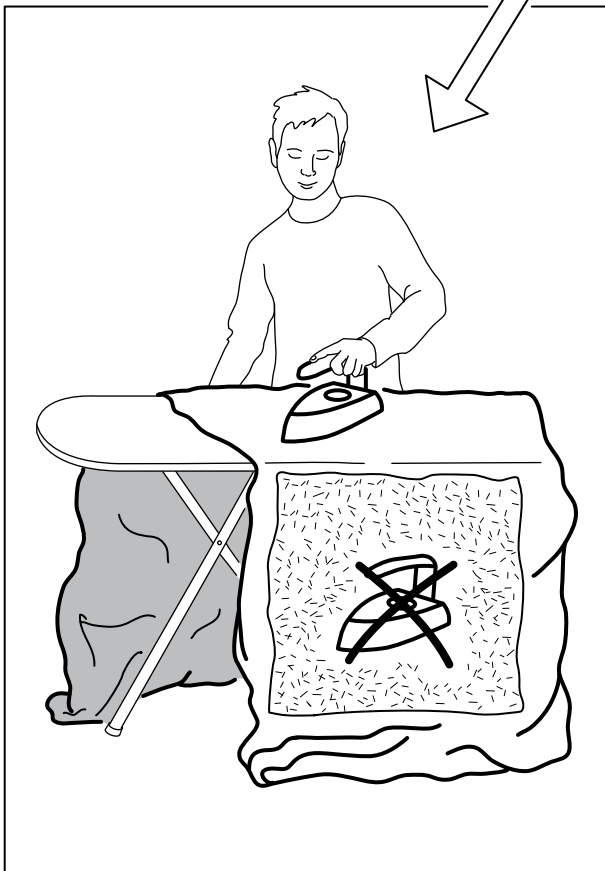
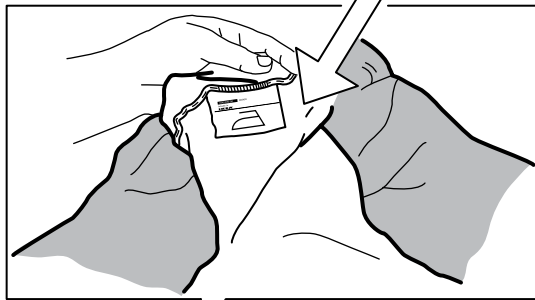
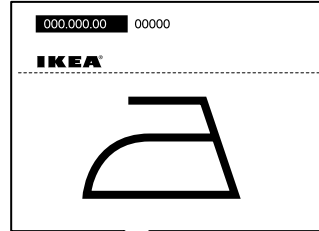
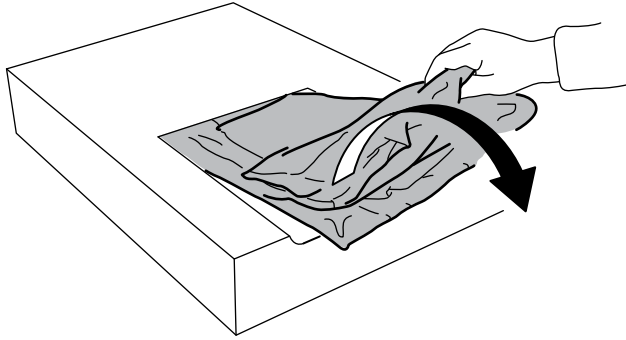


VIMLE

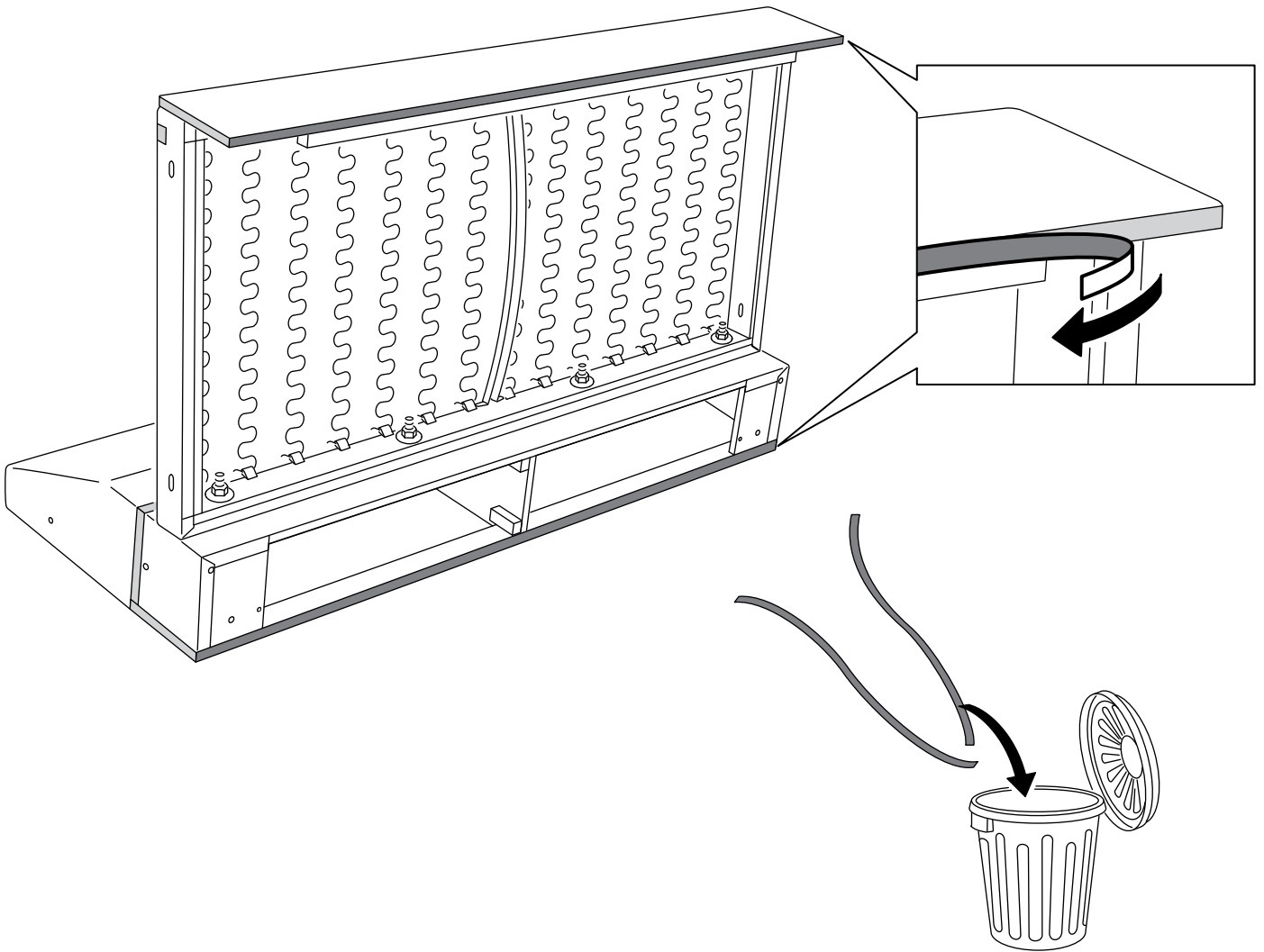


Design and Quality
IKEA of Sweden

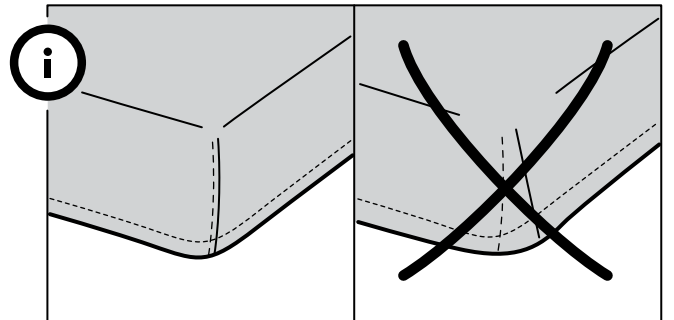
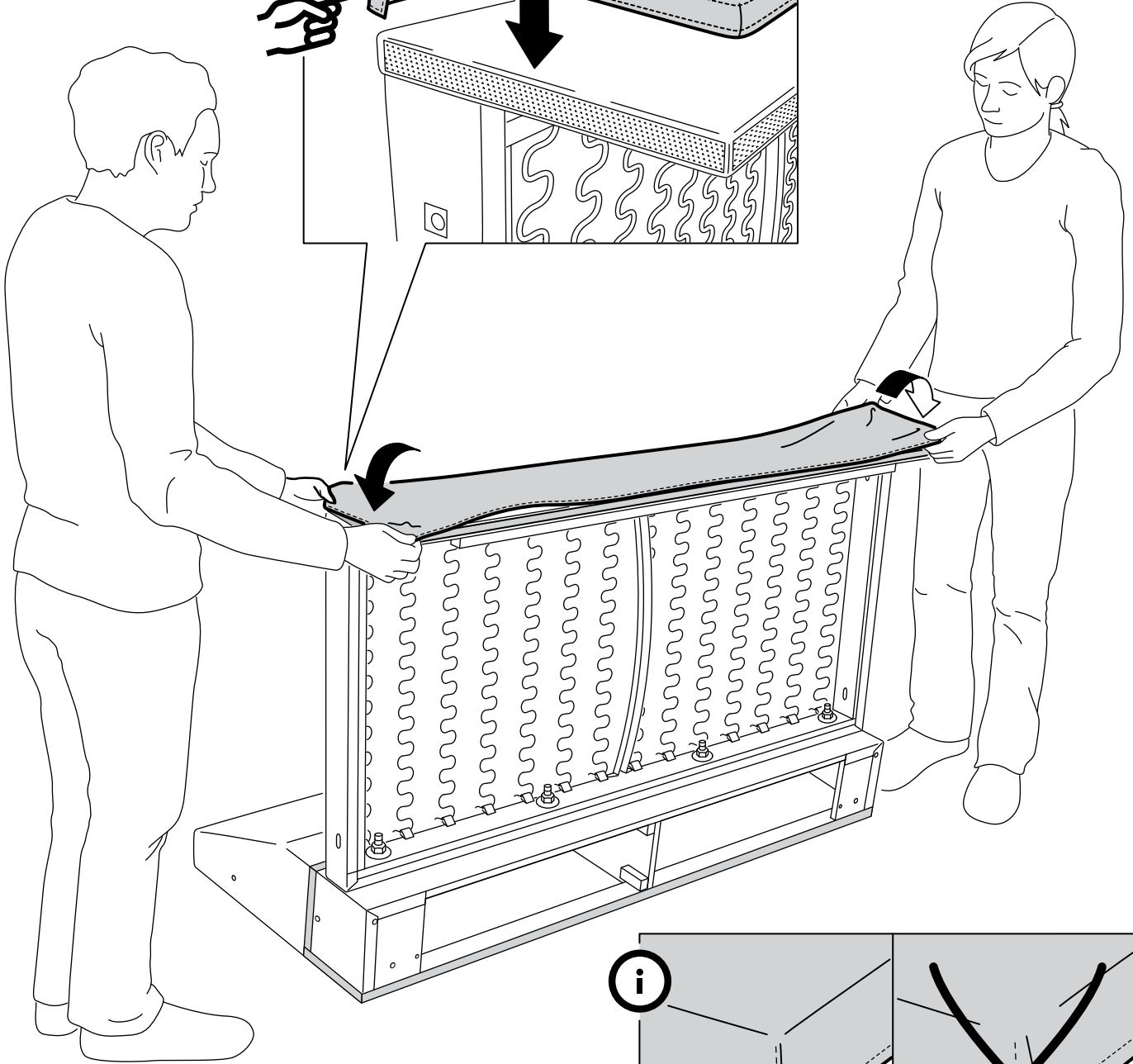
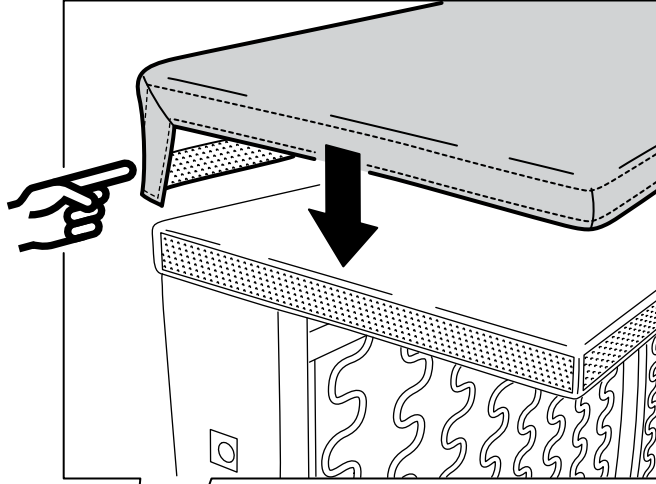
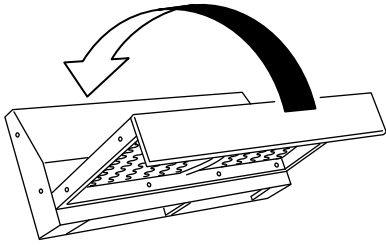




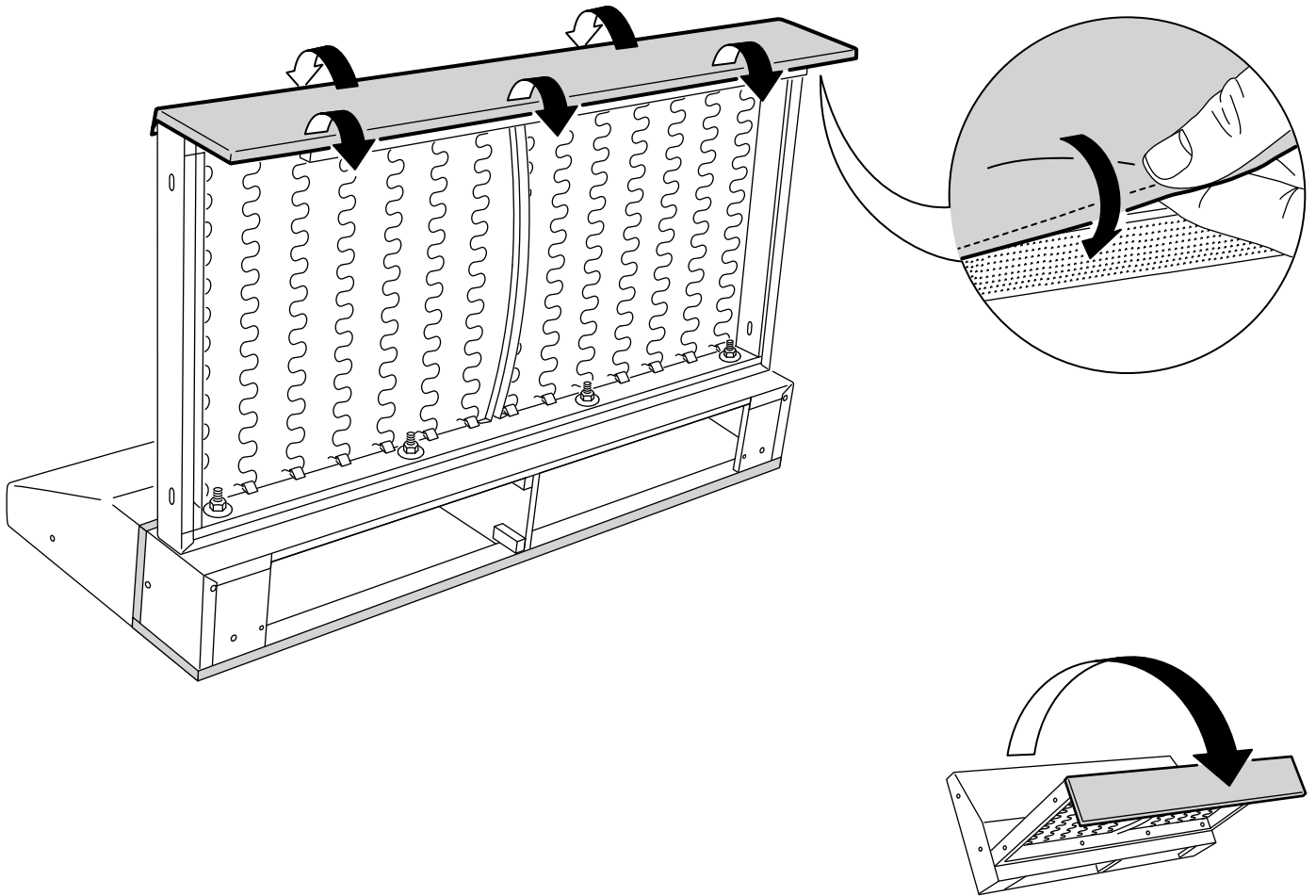
1



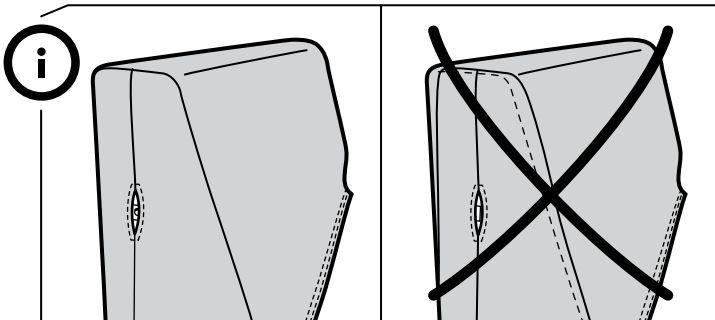
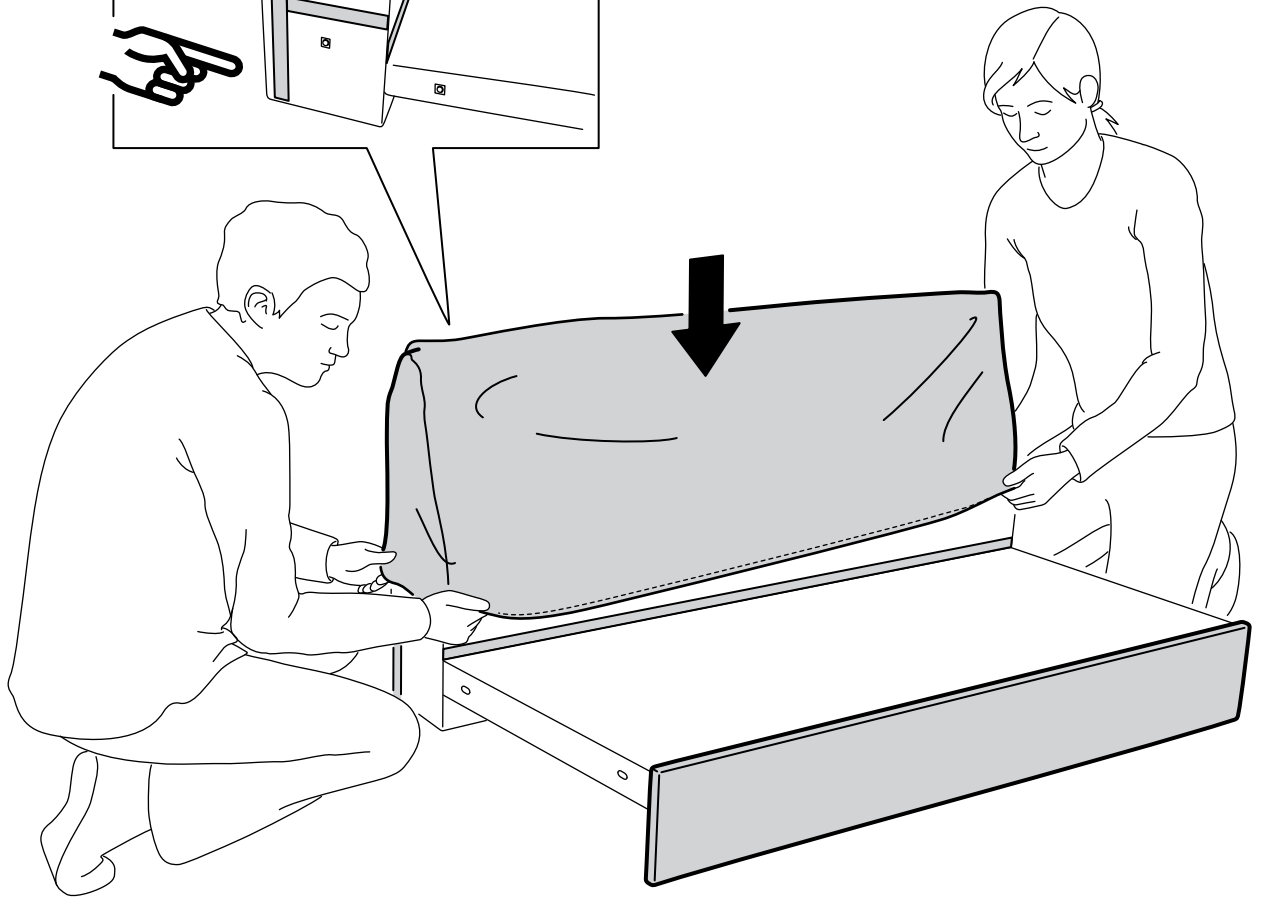
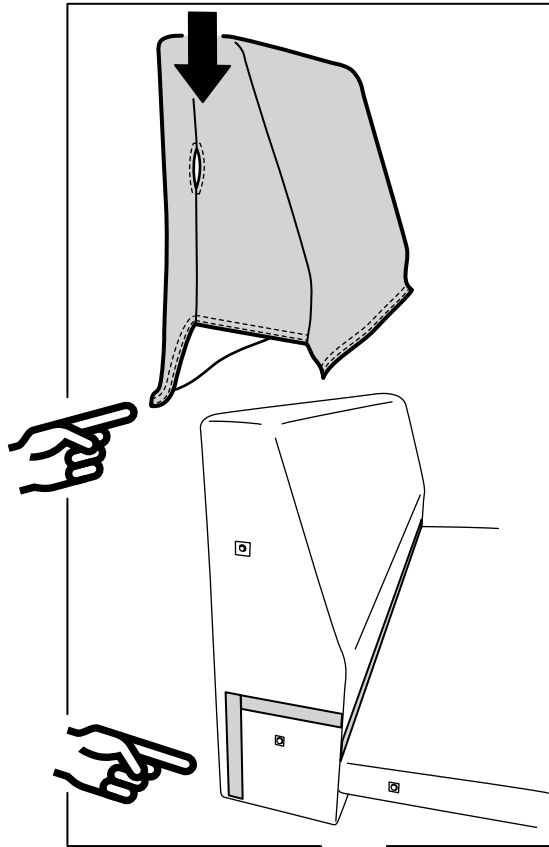
2



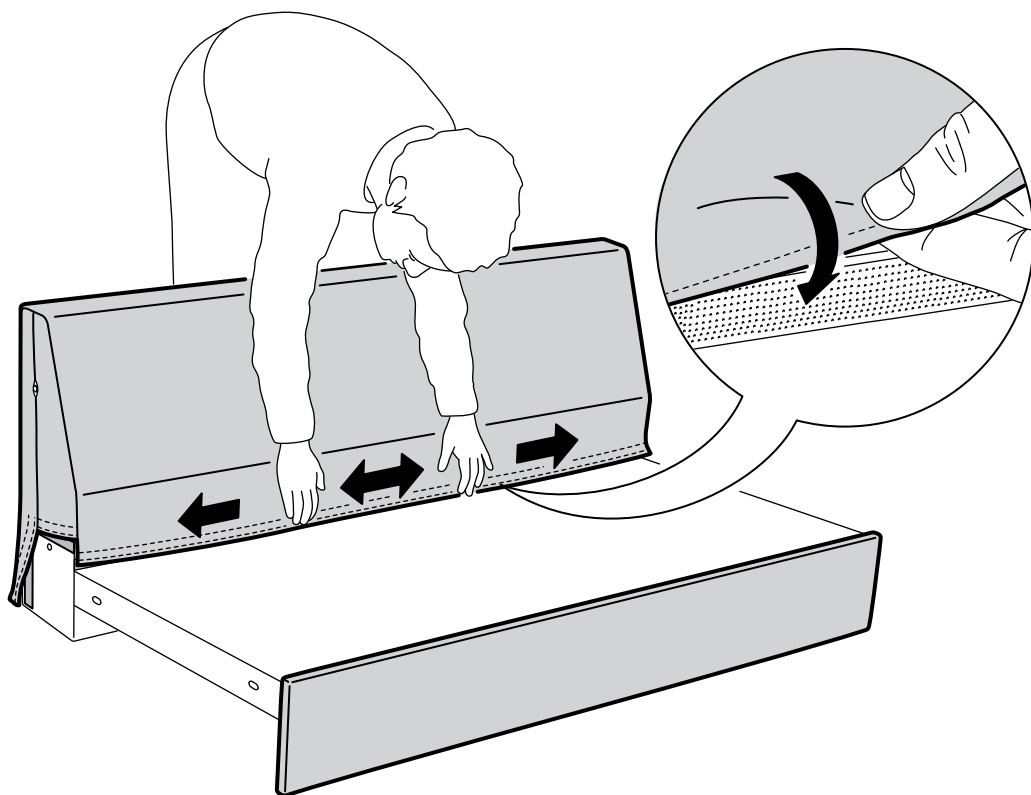
3



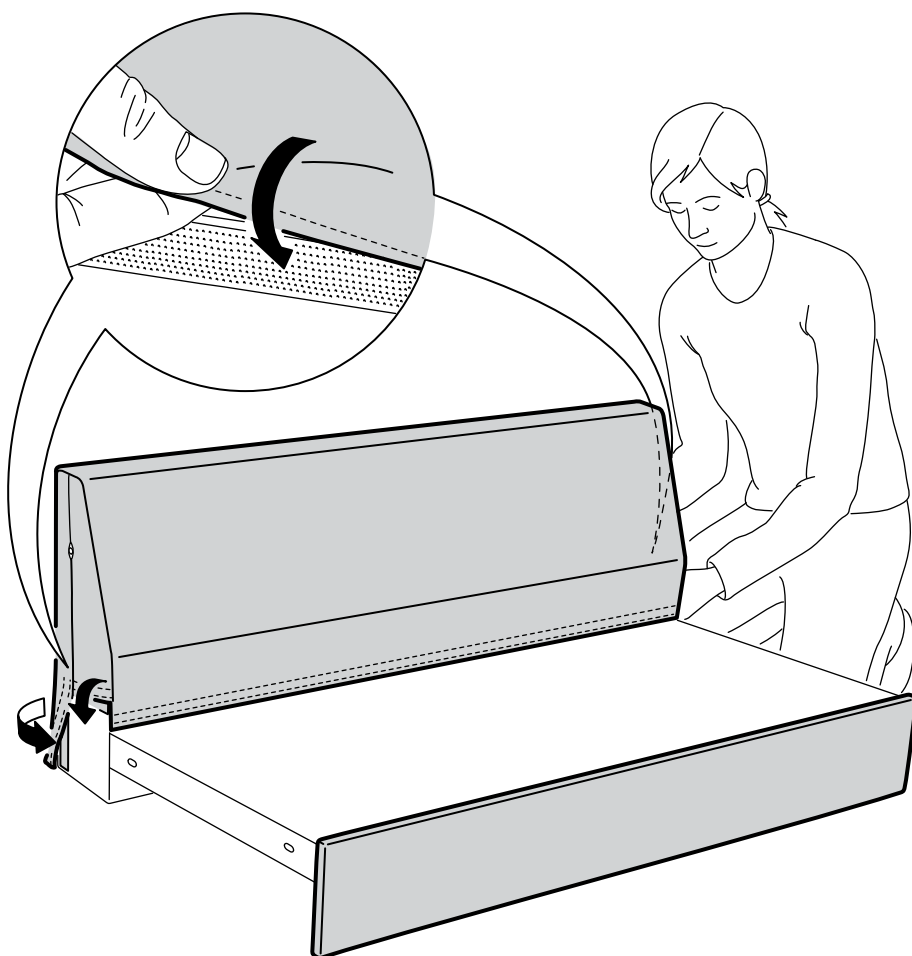
4



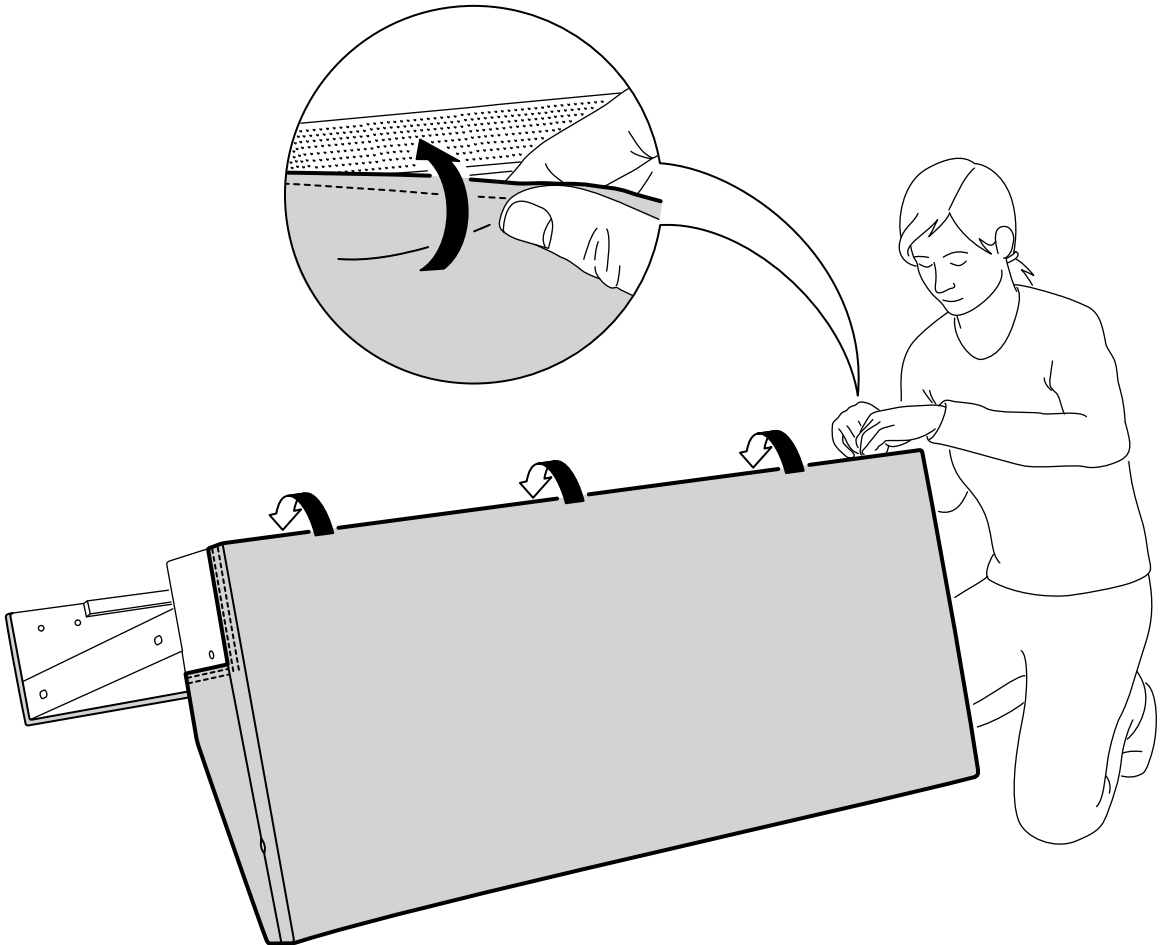
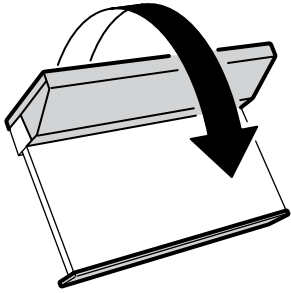
5

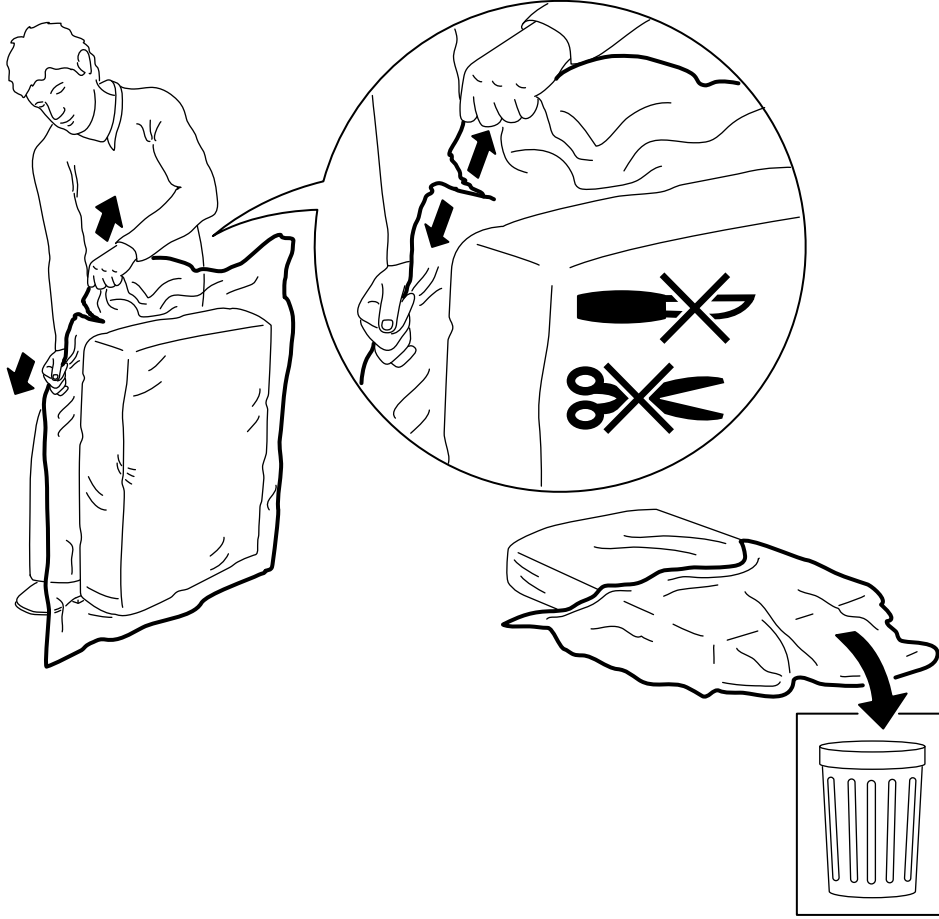


6

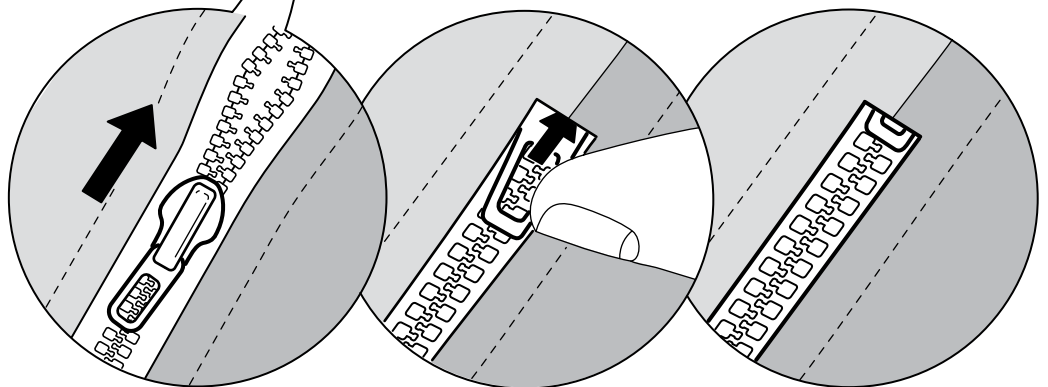
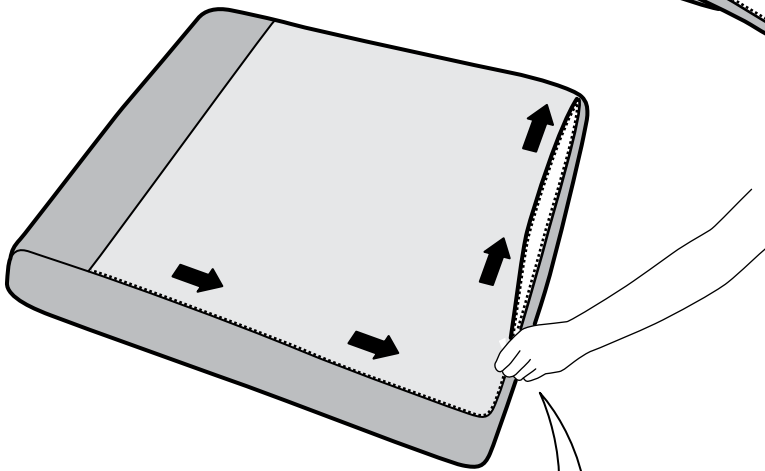
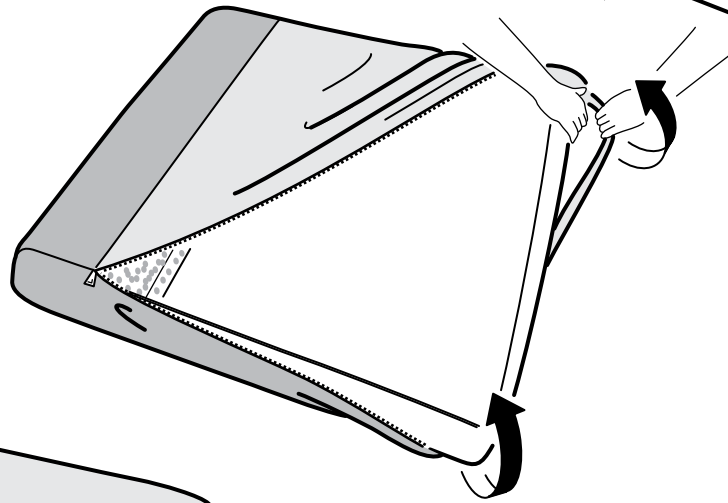
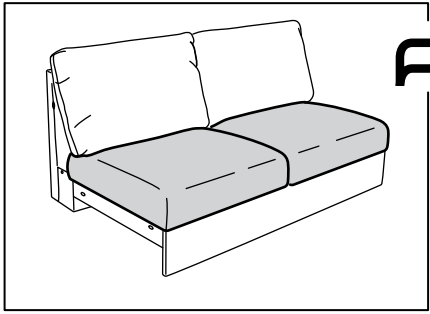


7





8



9

