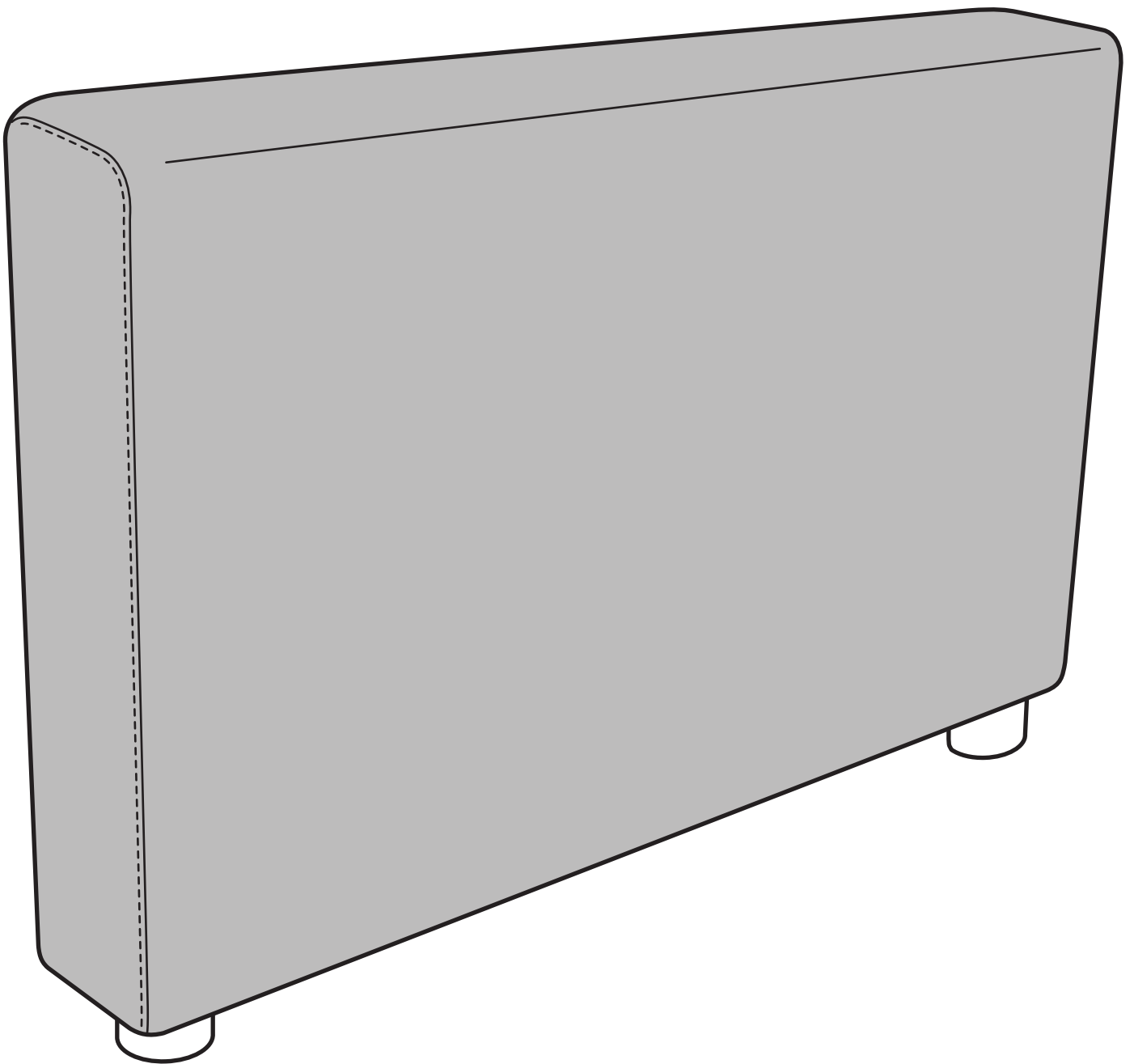
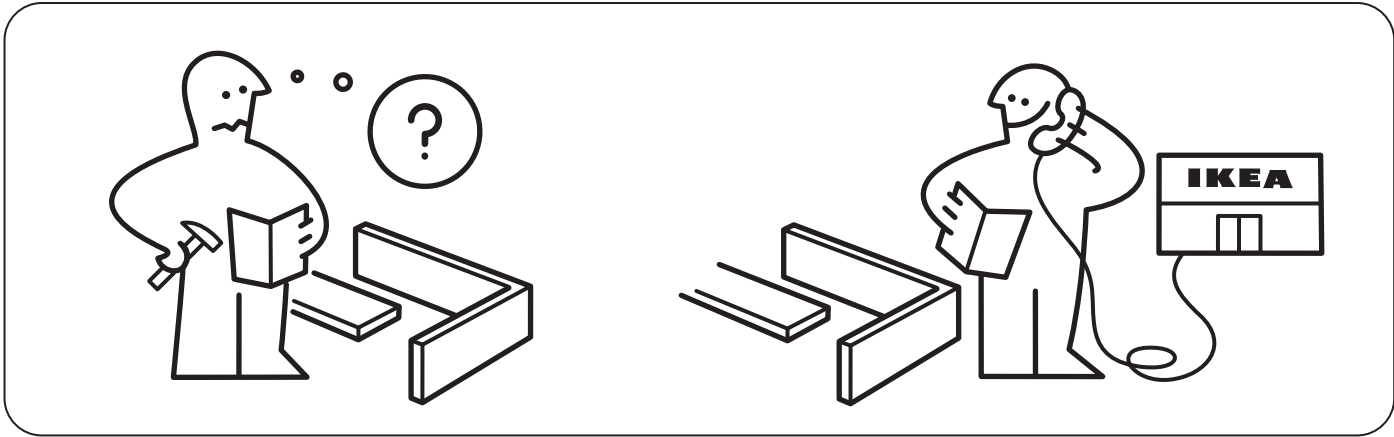
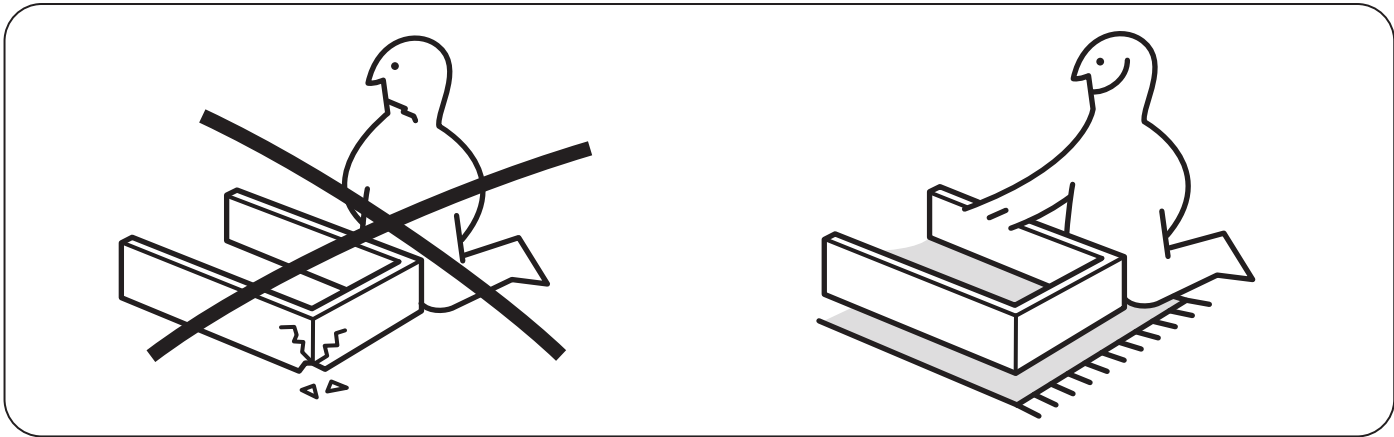
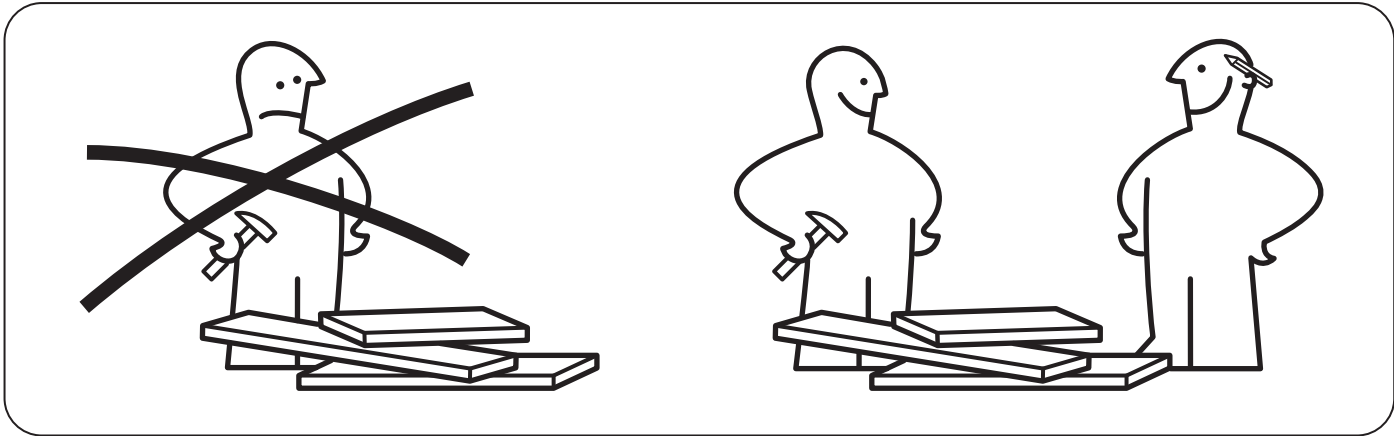
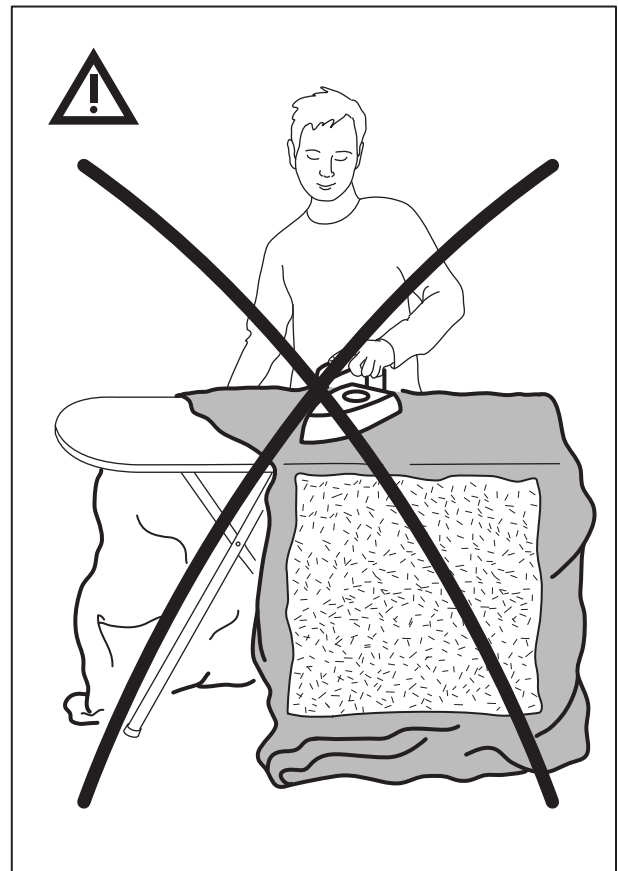
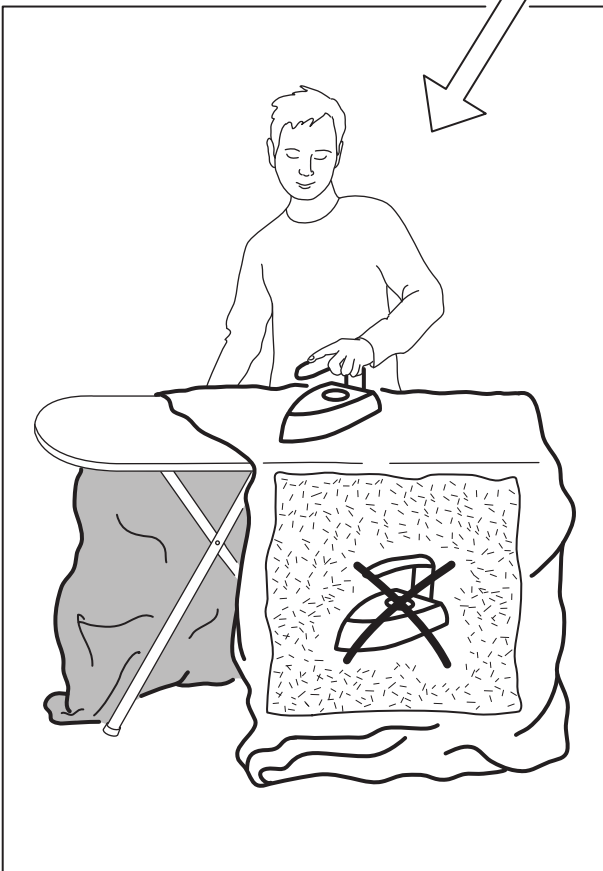
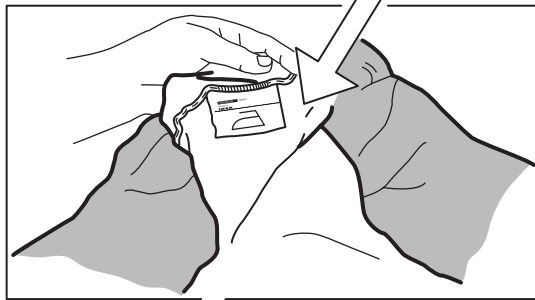
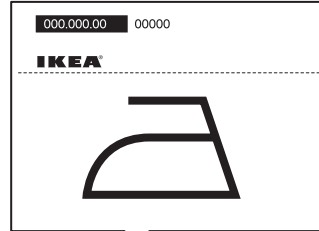
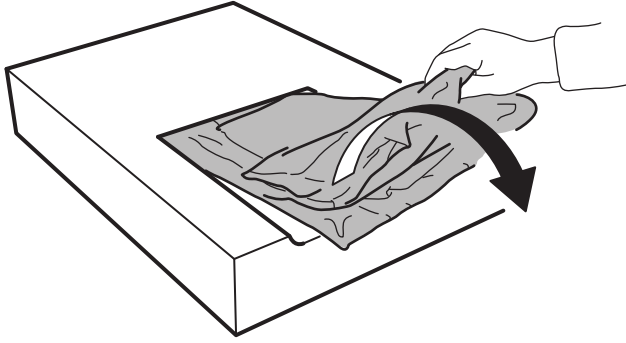


VIMLE ②

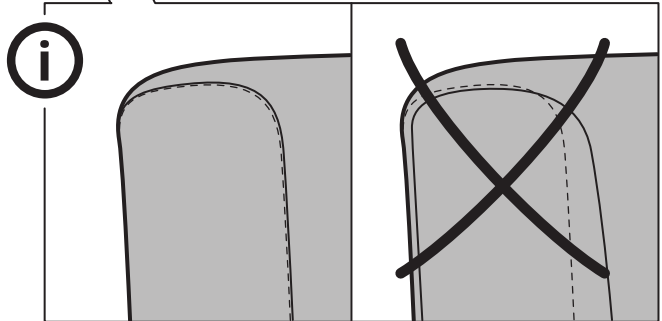


Design and Quality
IKEA of Sweden

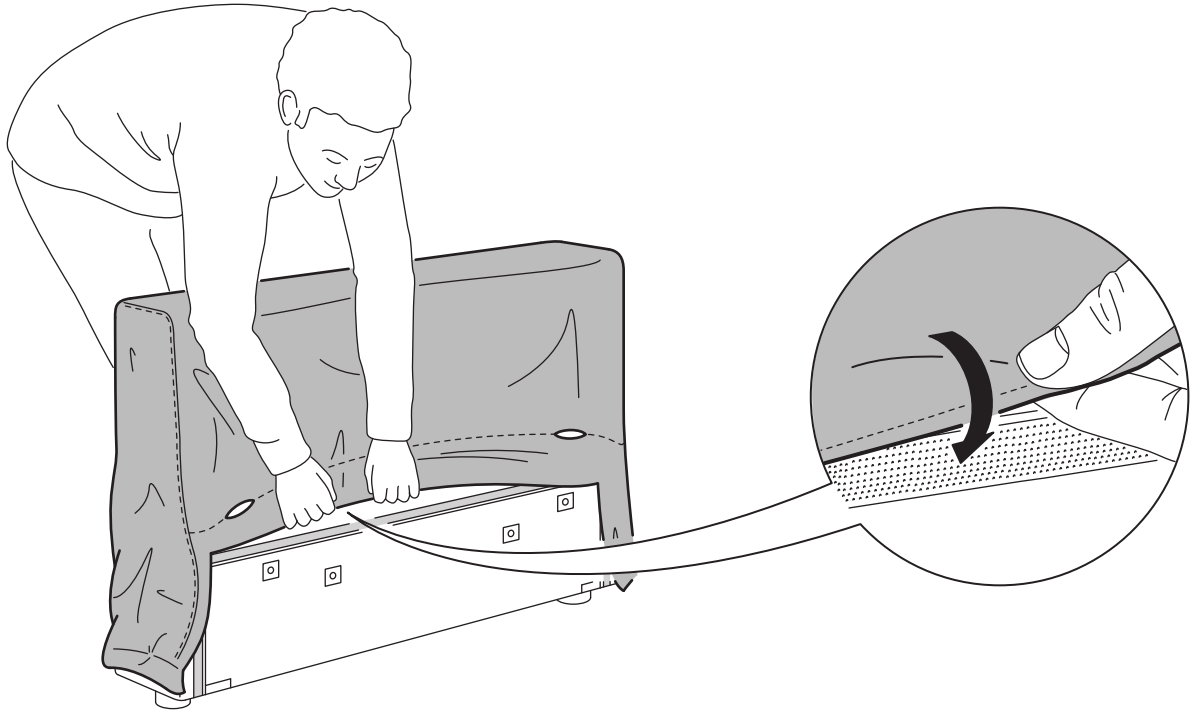




1



2



3

