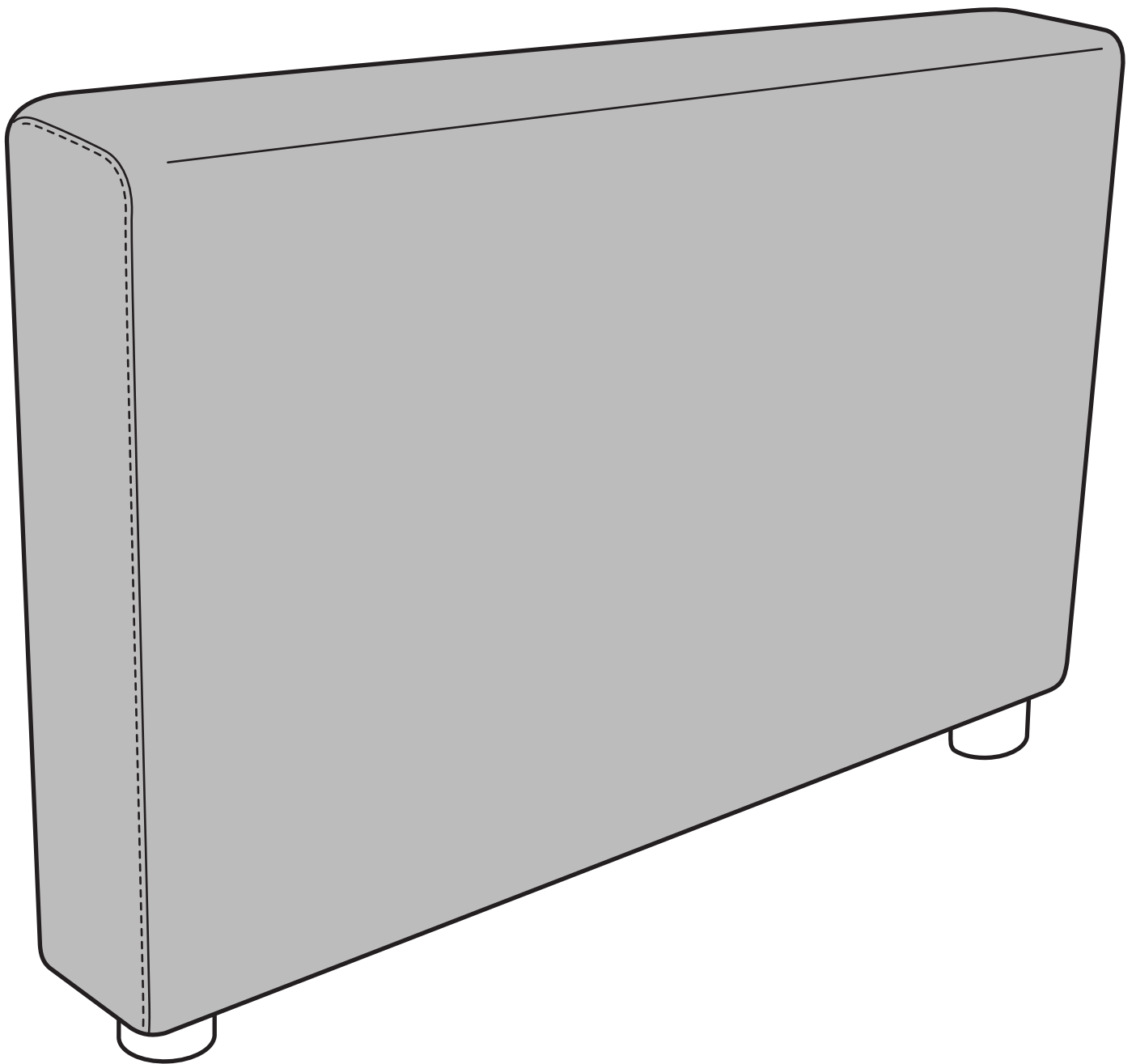
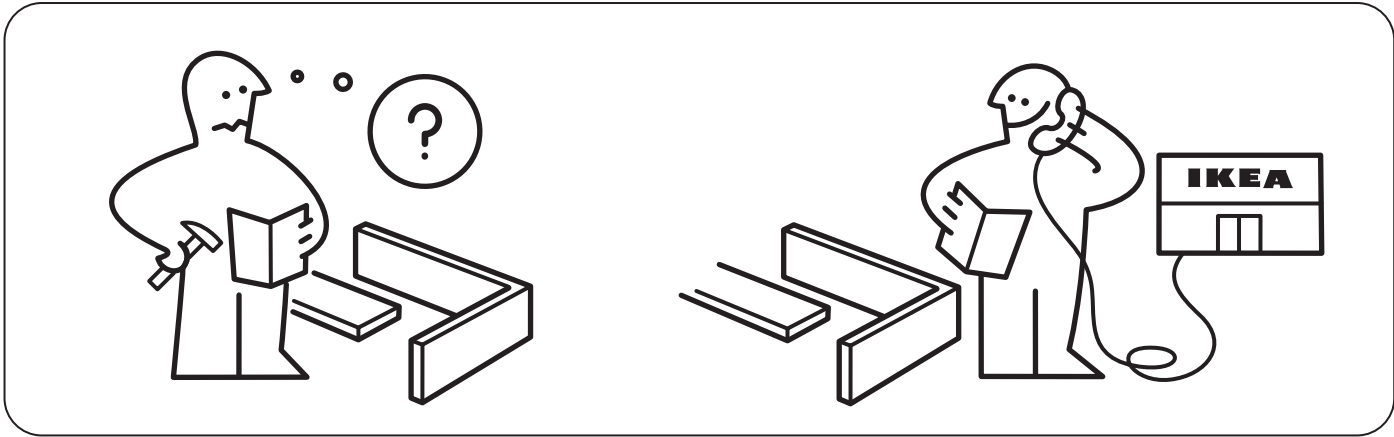
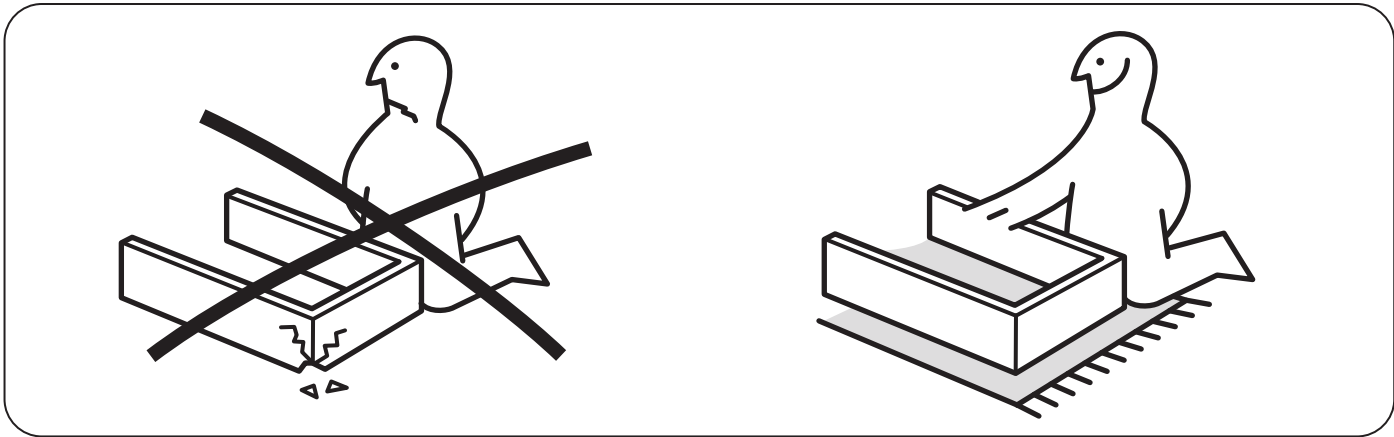
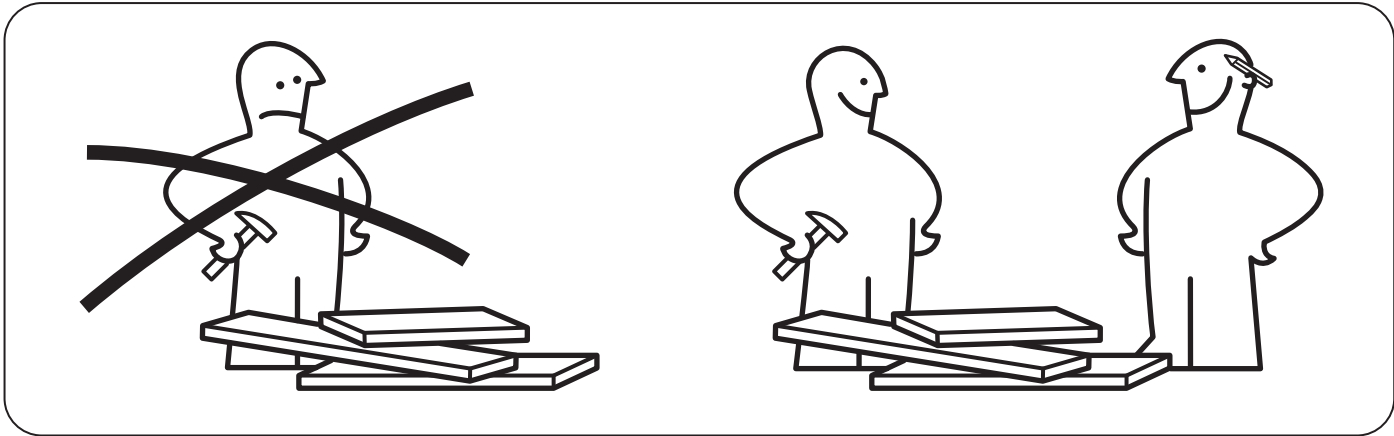
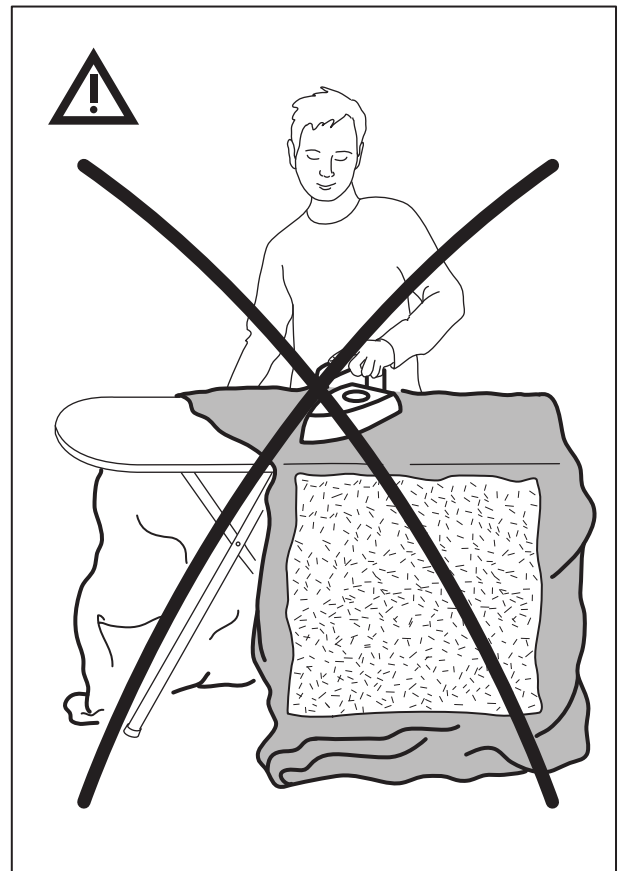
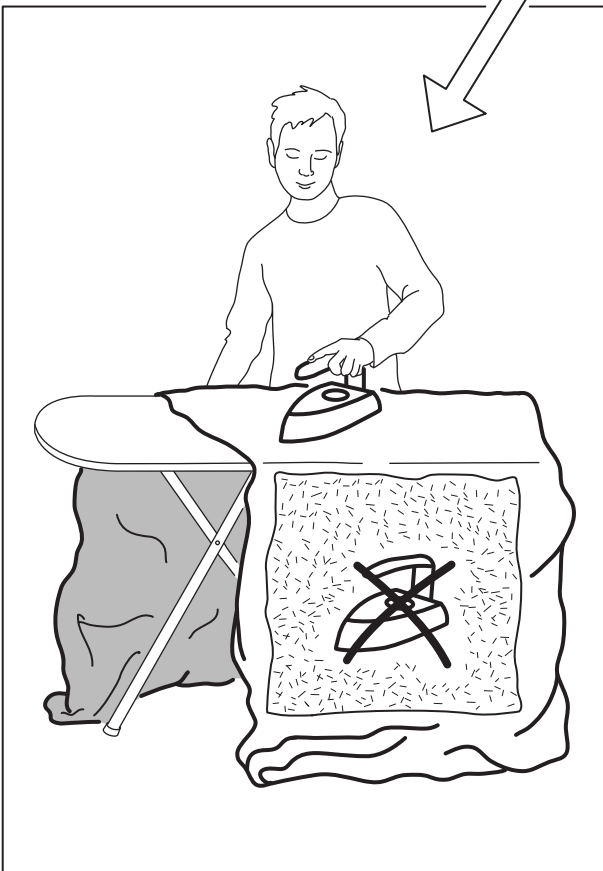
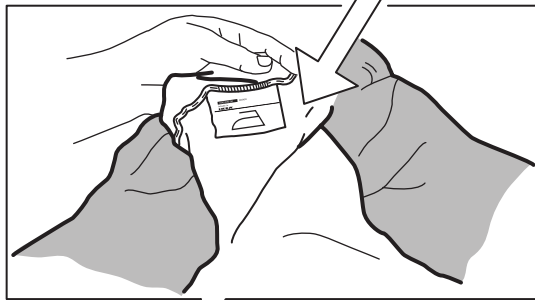
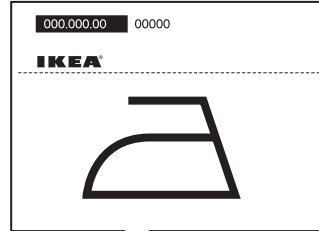
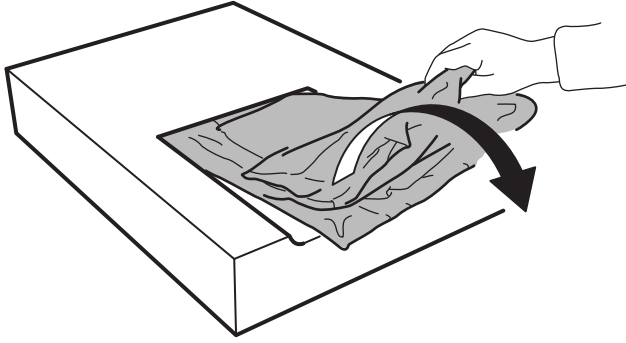


# VIMLE ②

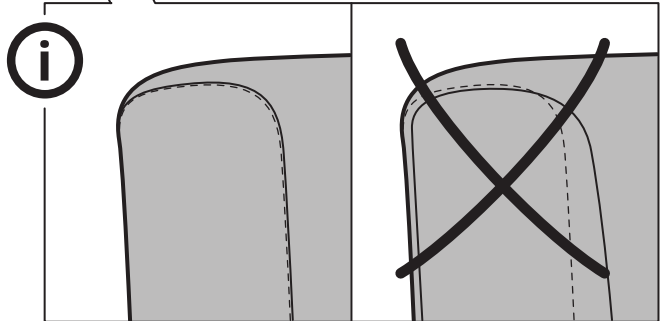


Design and Quality  
IKEA of Sweden

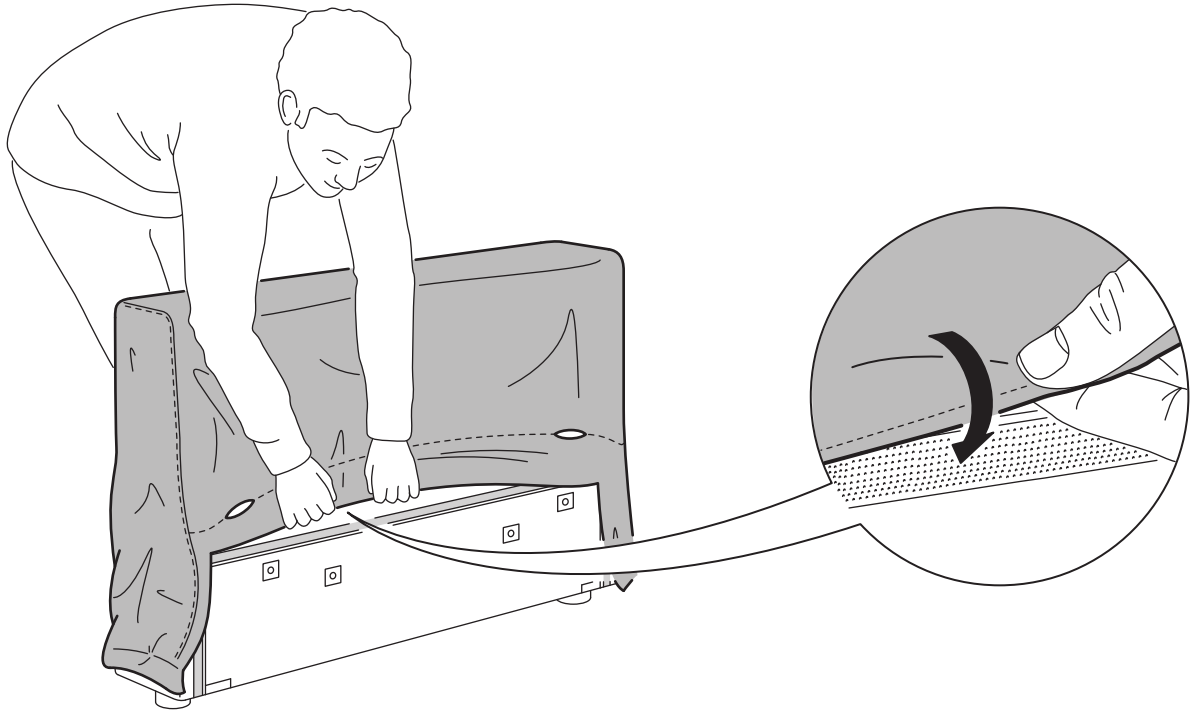




1



2



3

