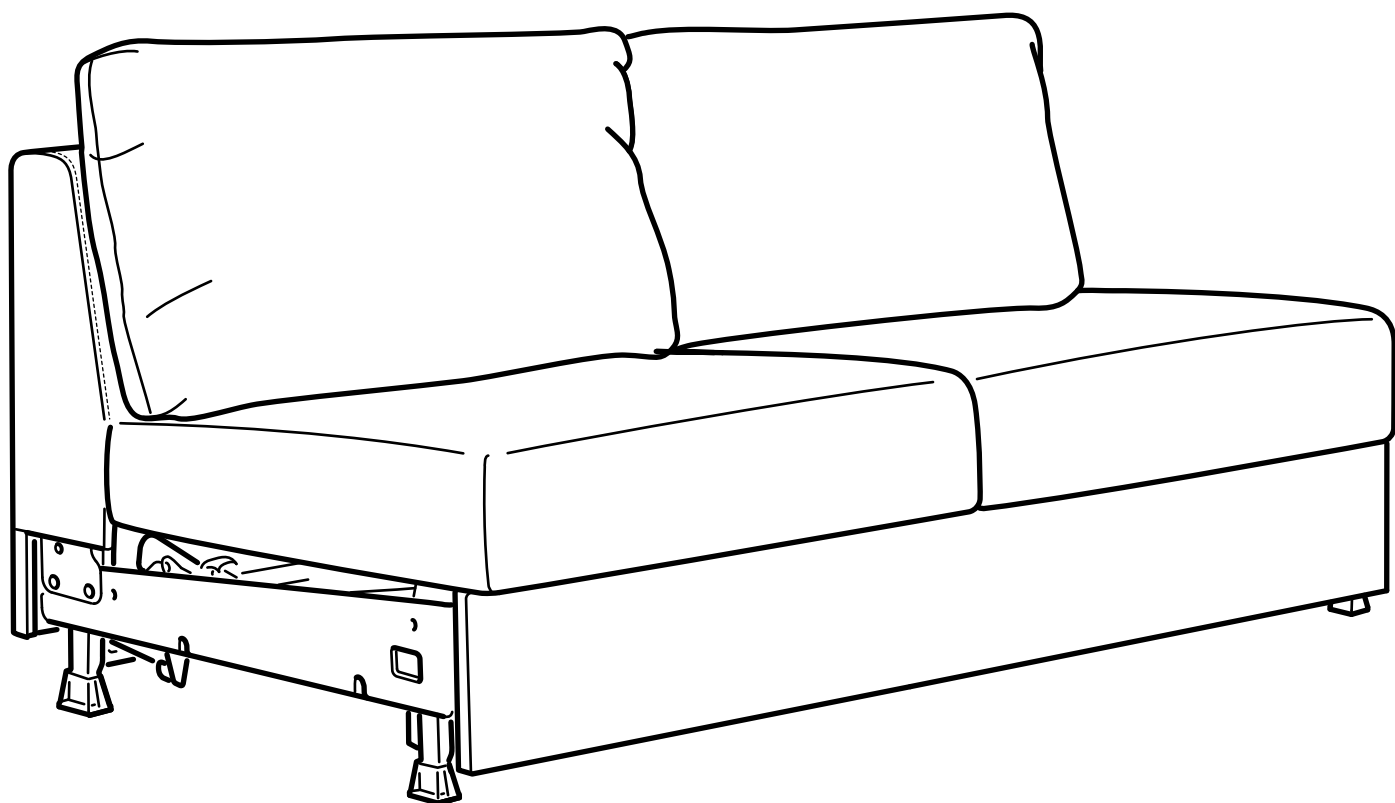
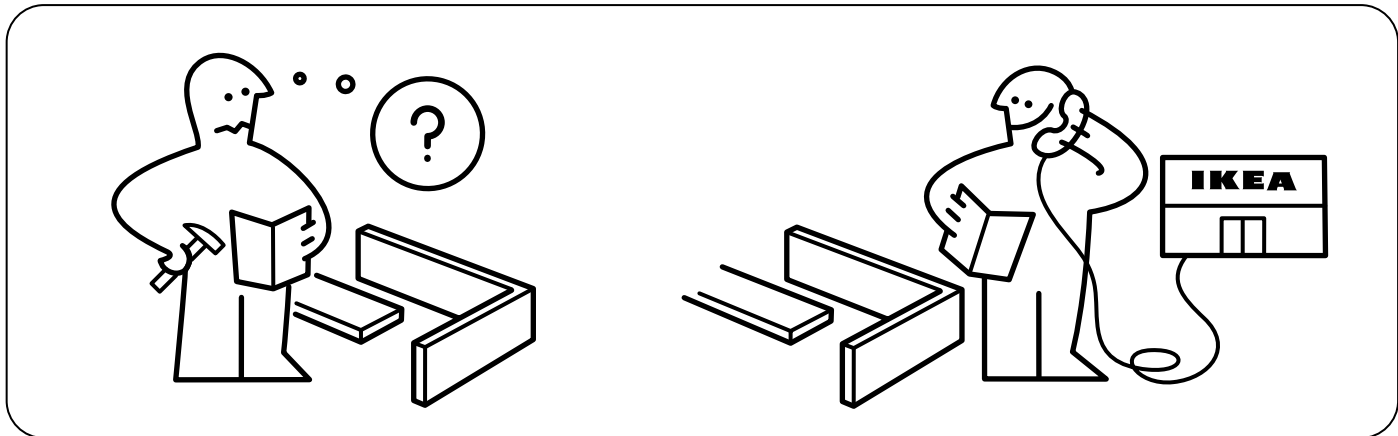
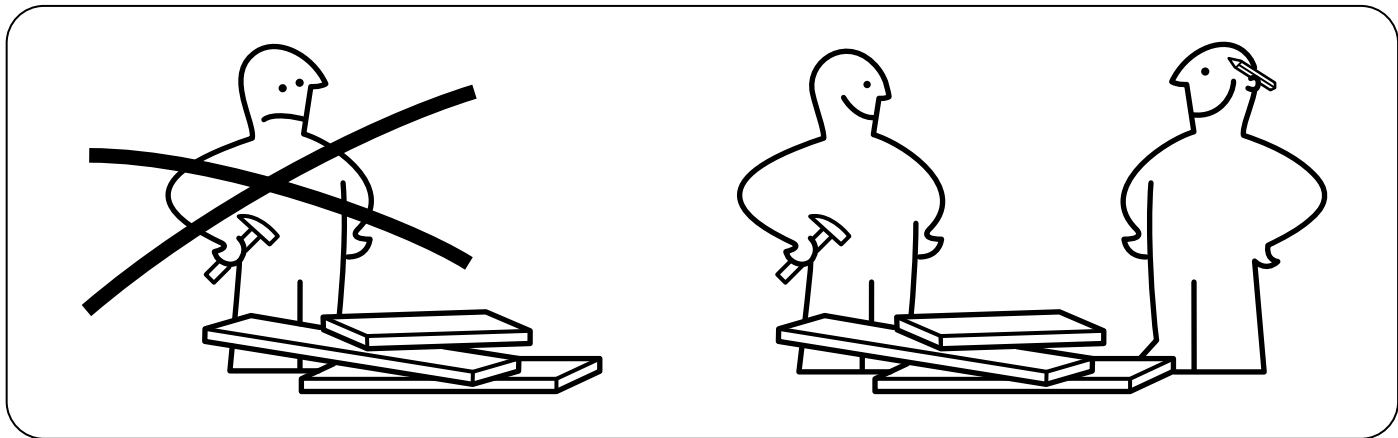
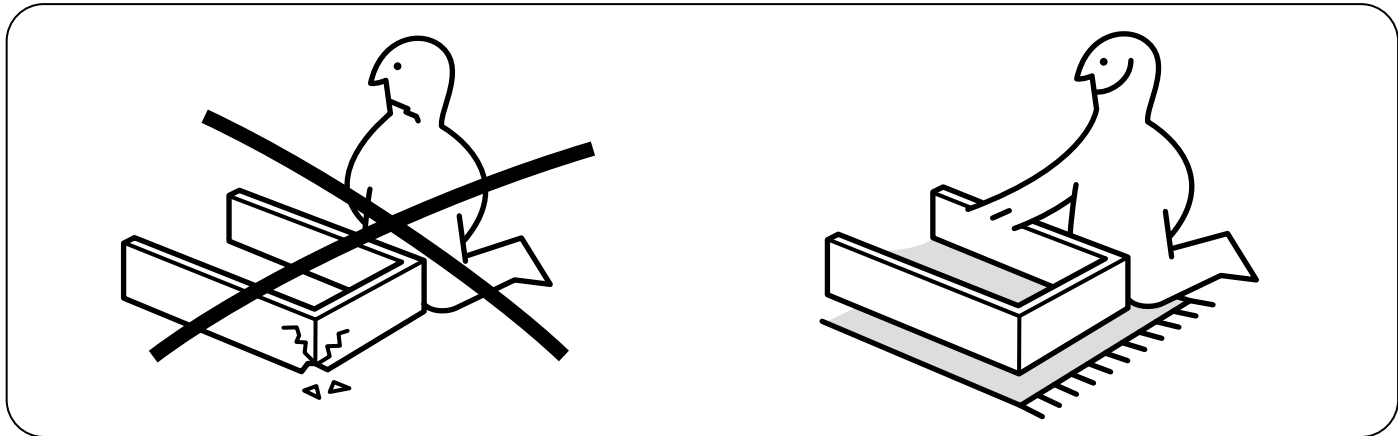
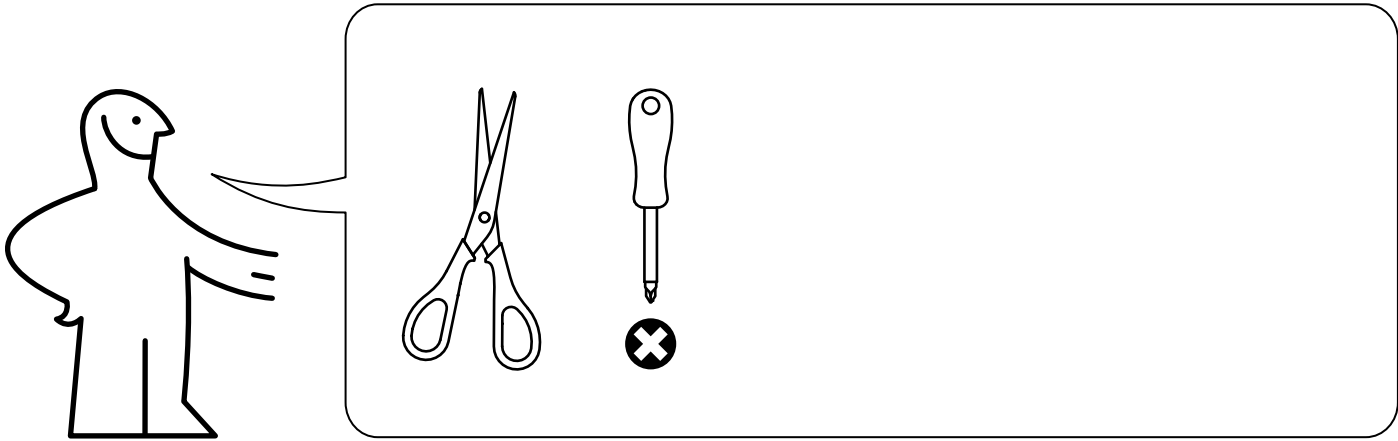
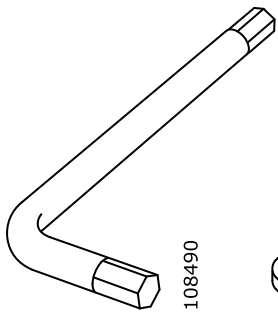


VIMLE

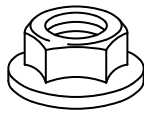


Design and Quality
IKEA of Sweden

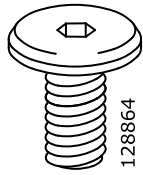




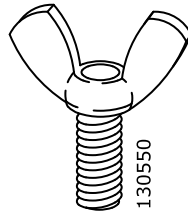
1x



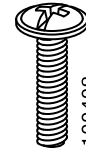
4x



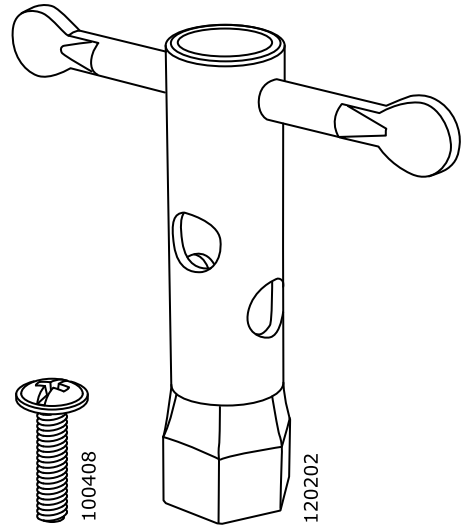
4x



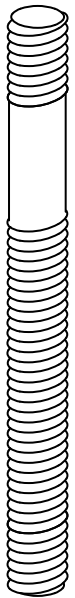
1x



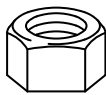
2x



1x



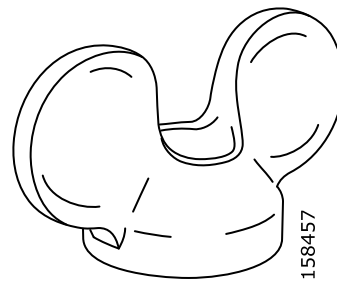
6x



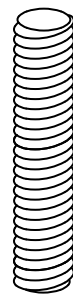
6x



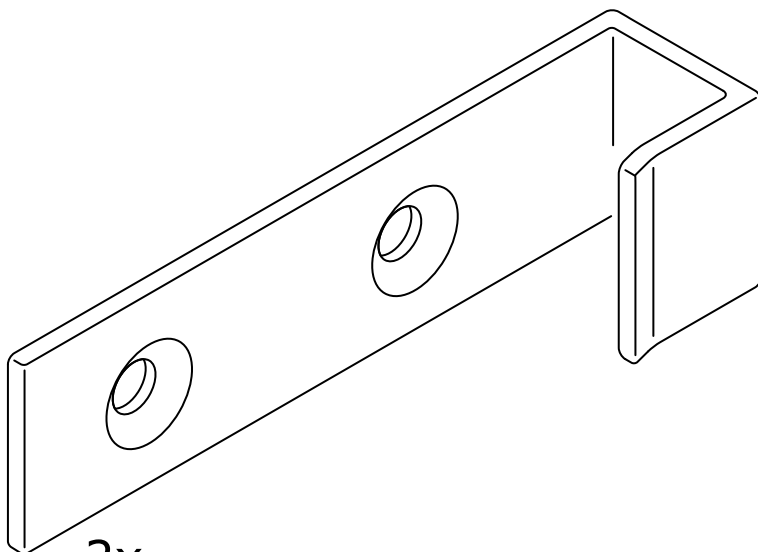
6x



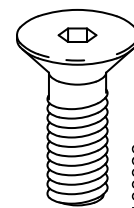
6x



4x

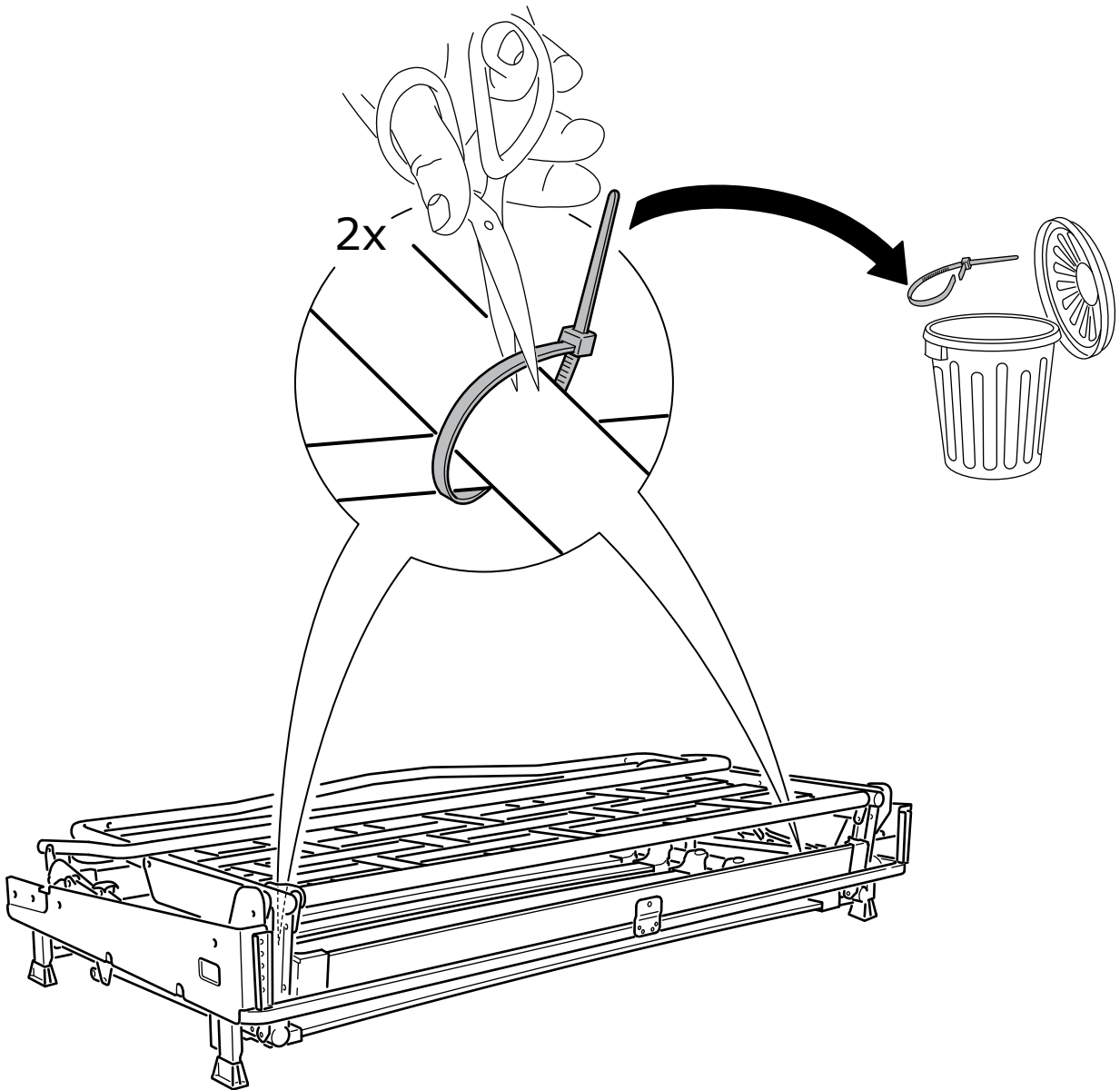
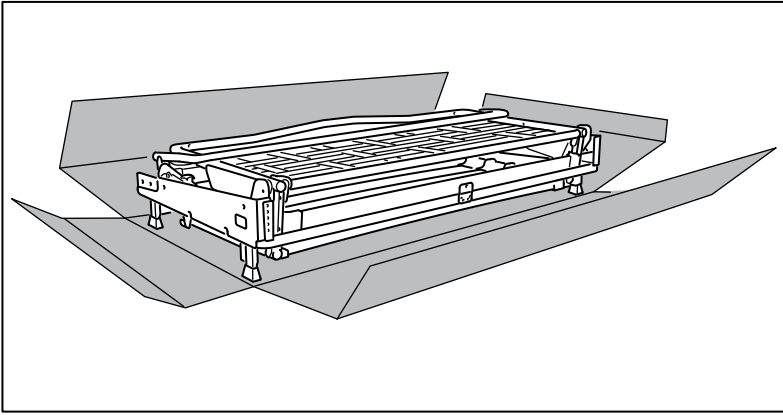


2x

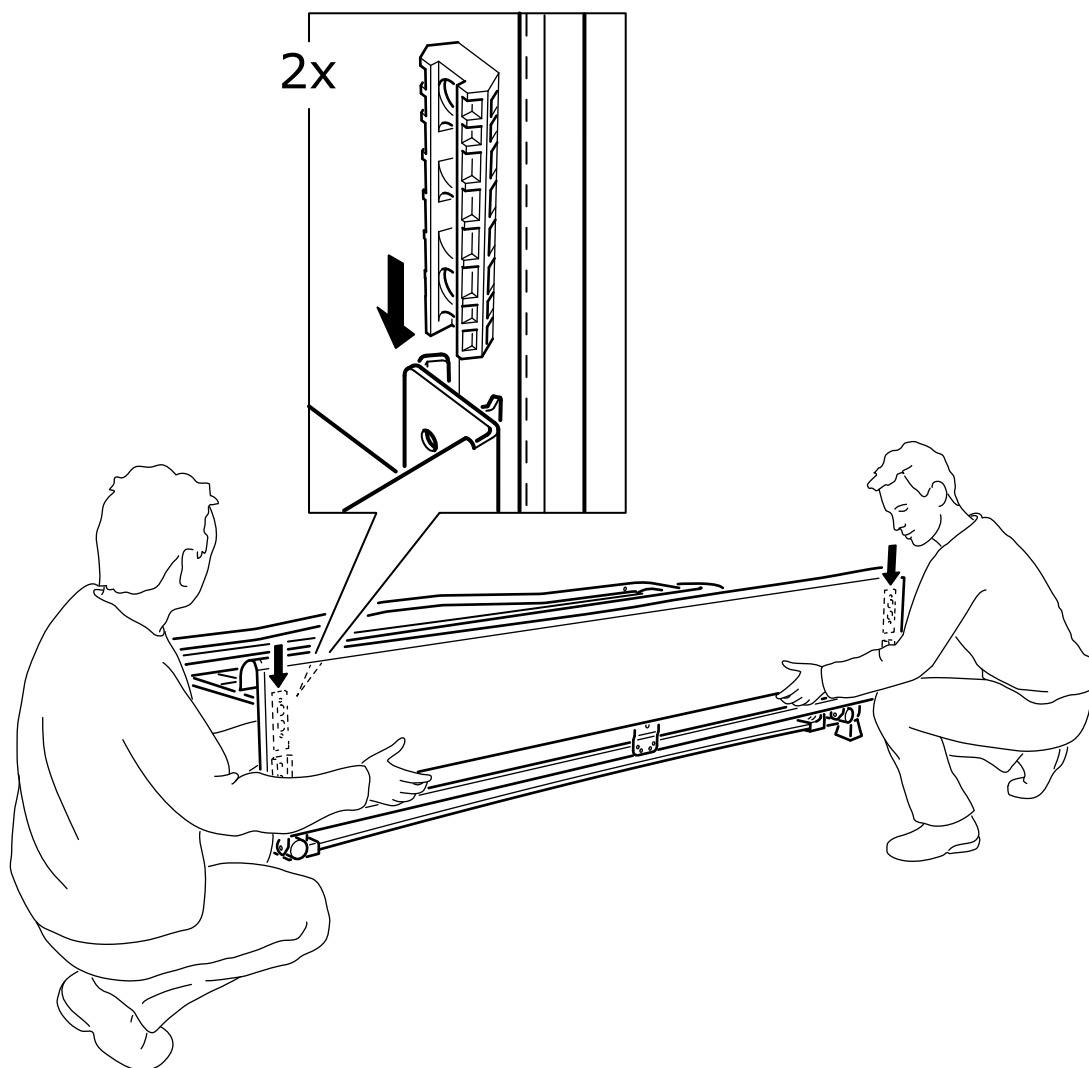


4x

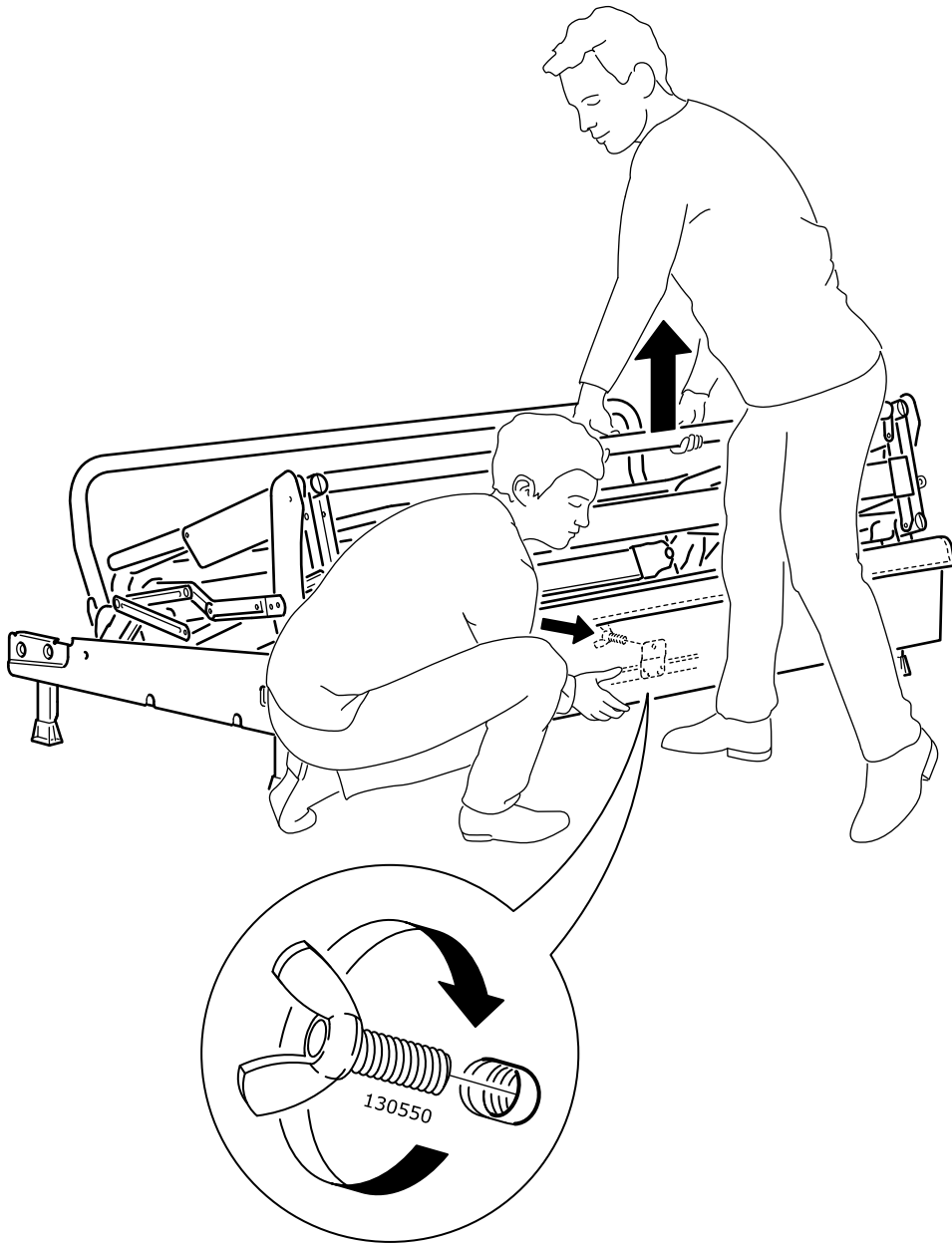
1



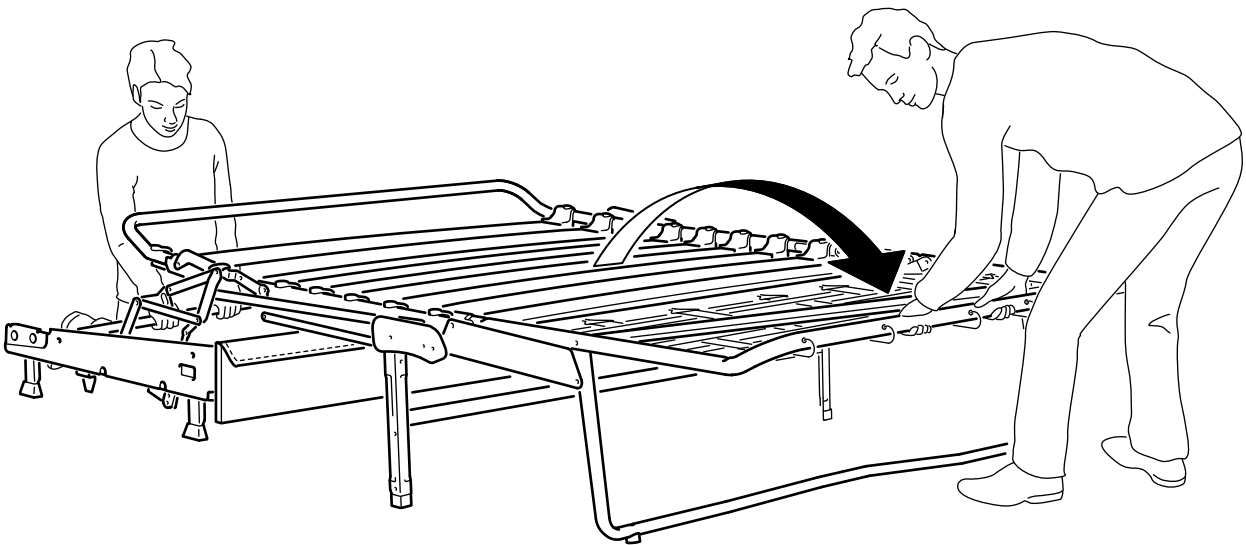
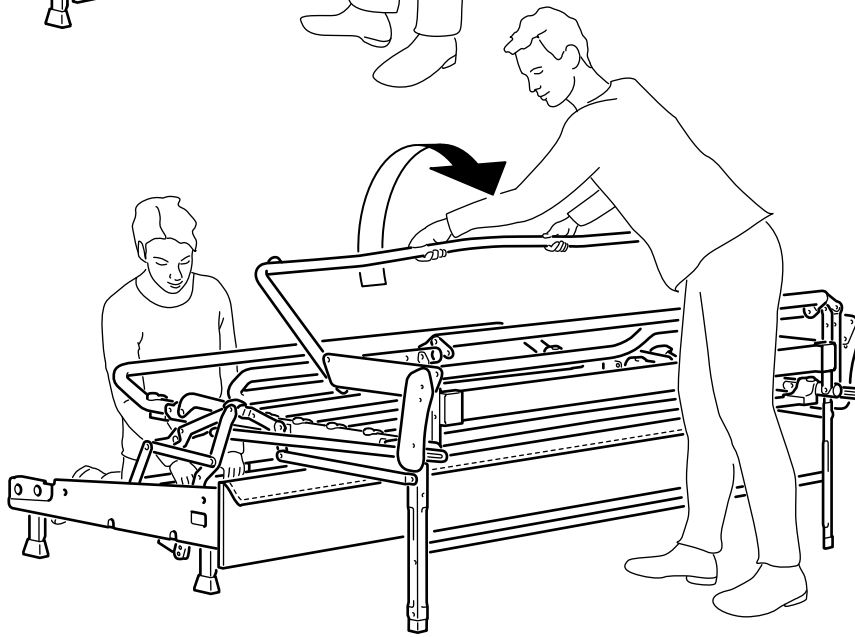
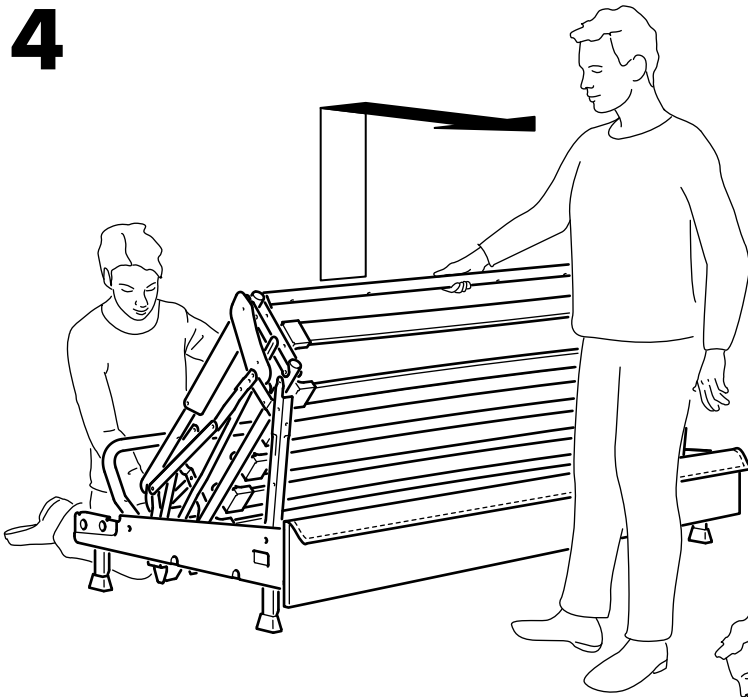
2



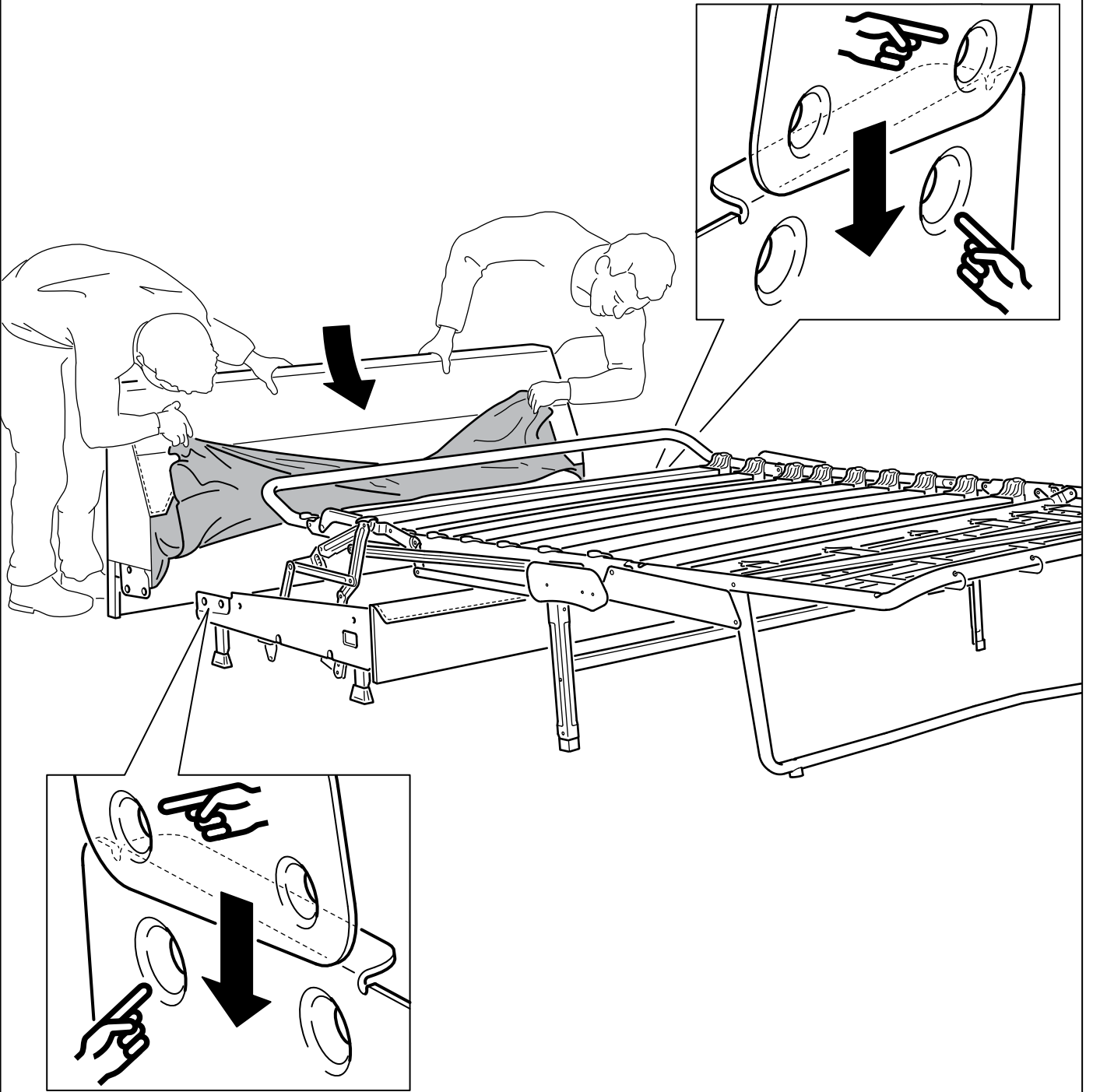
3



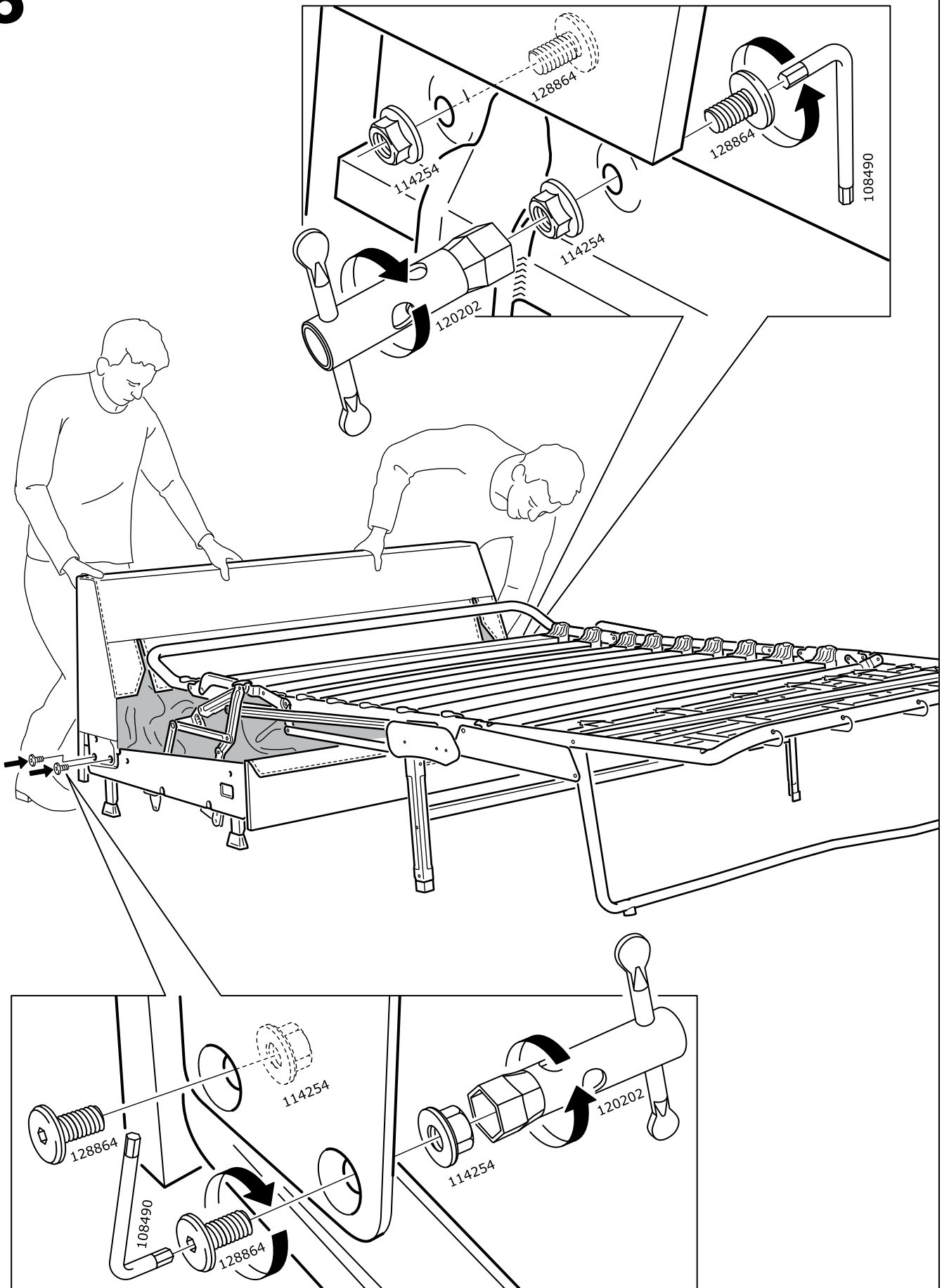
4



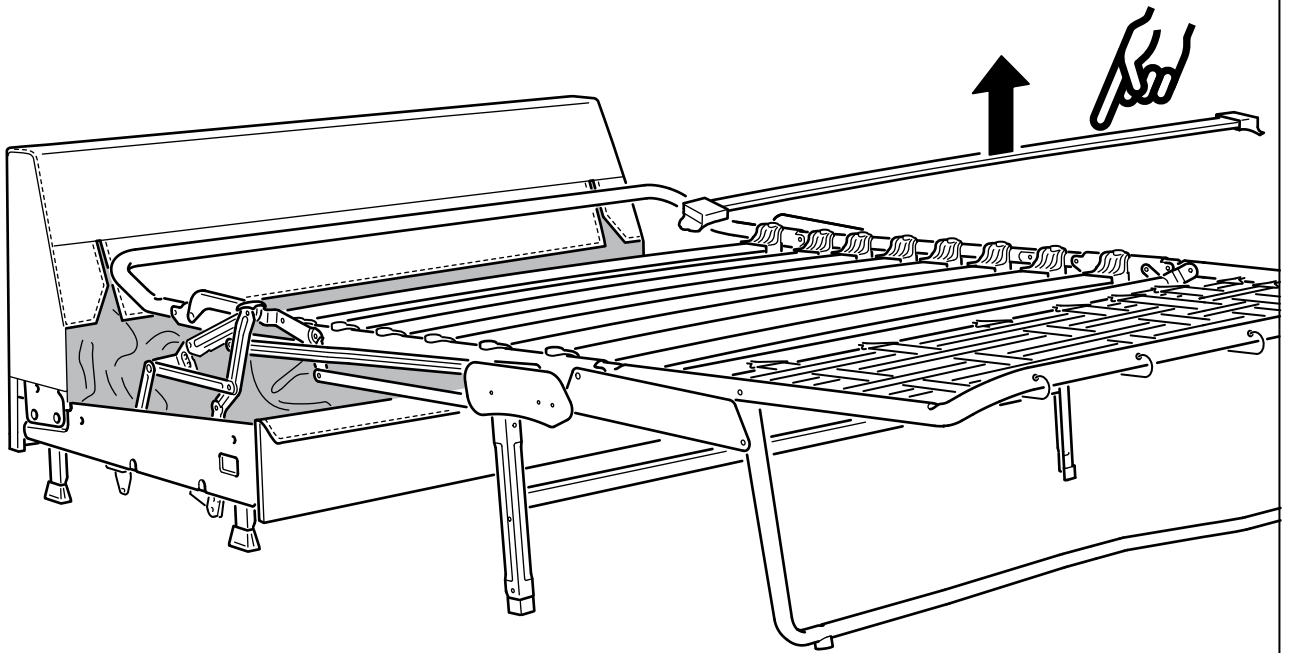
5



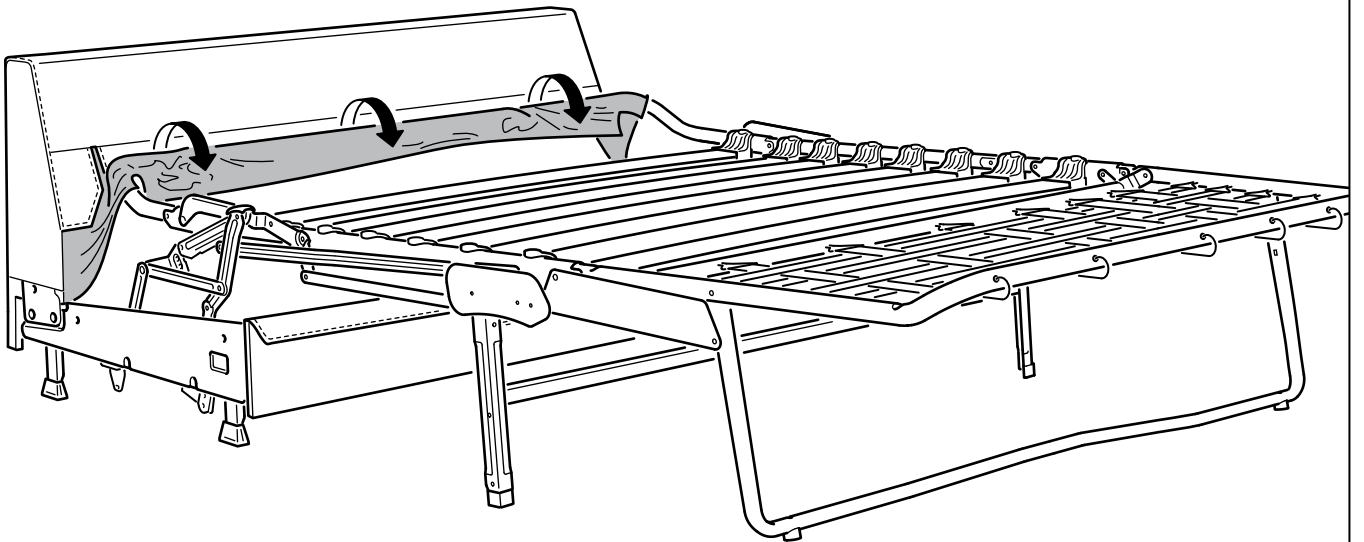
6



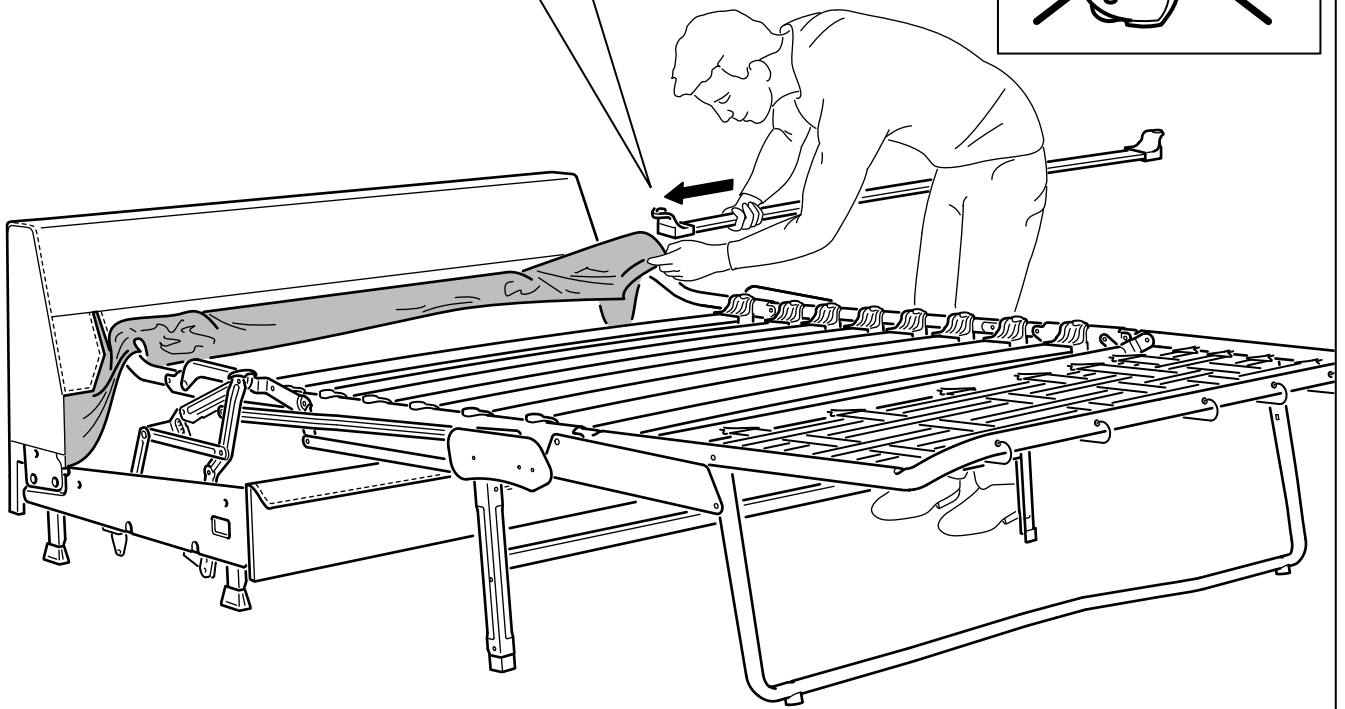
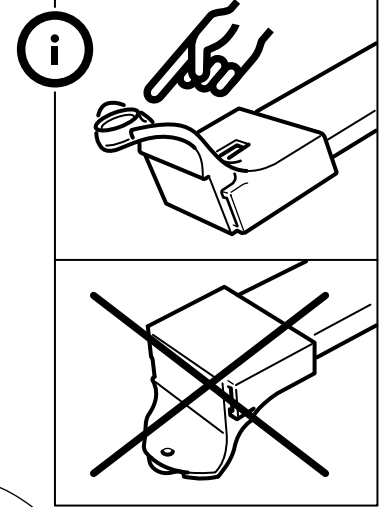
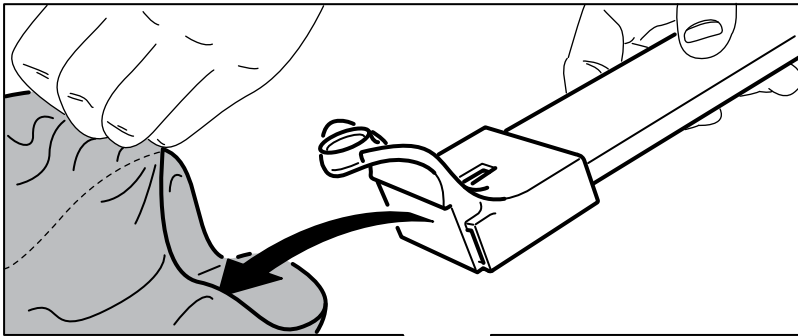
7



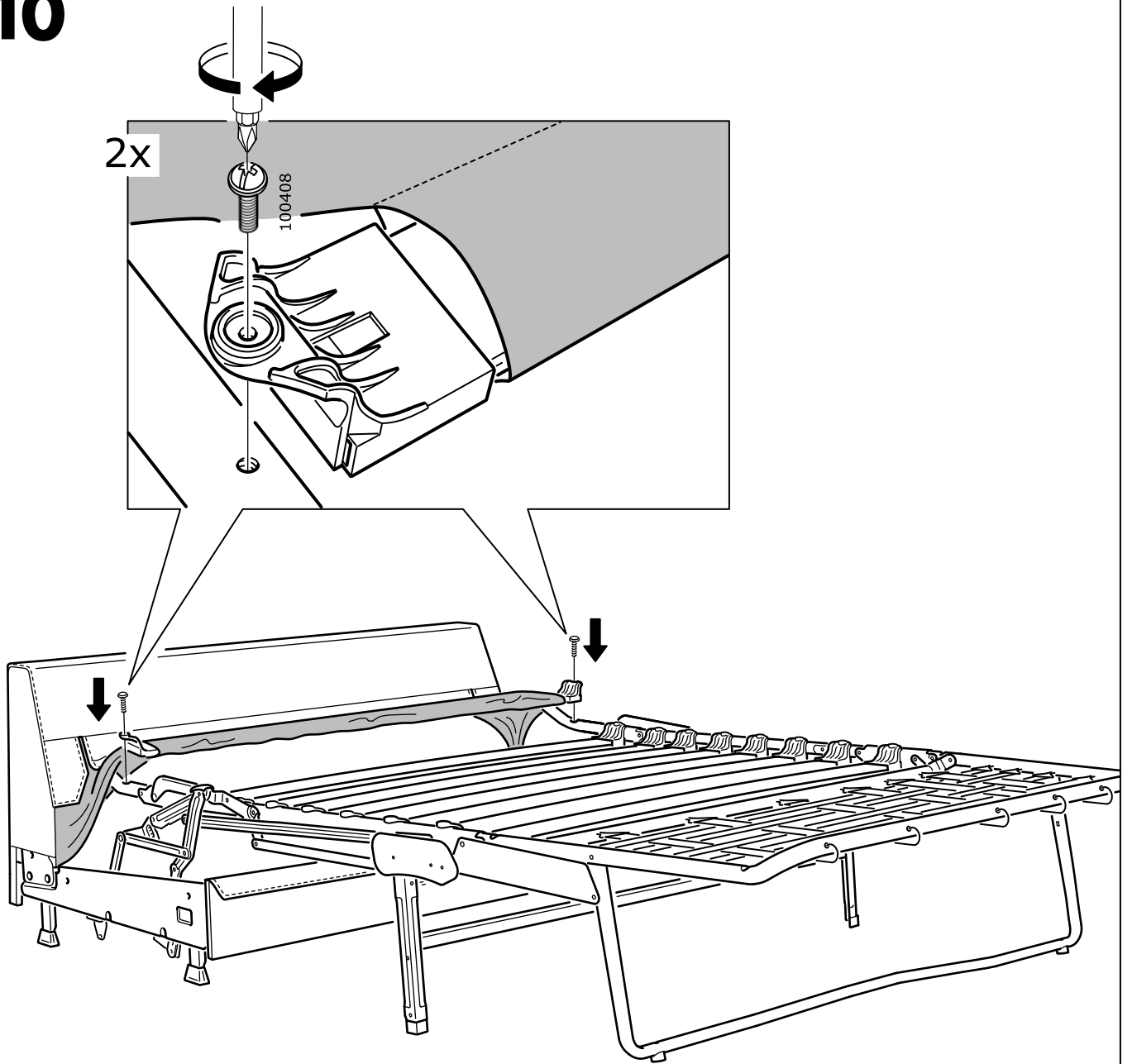
8

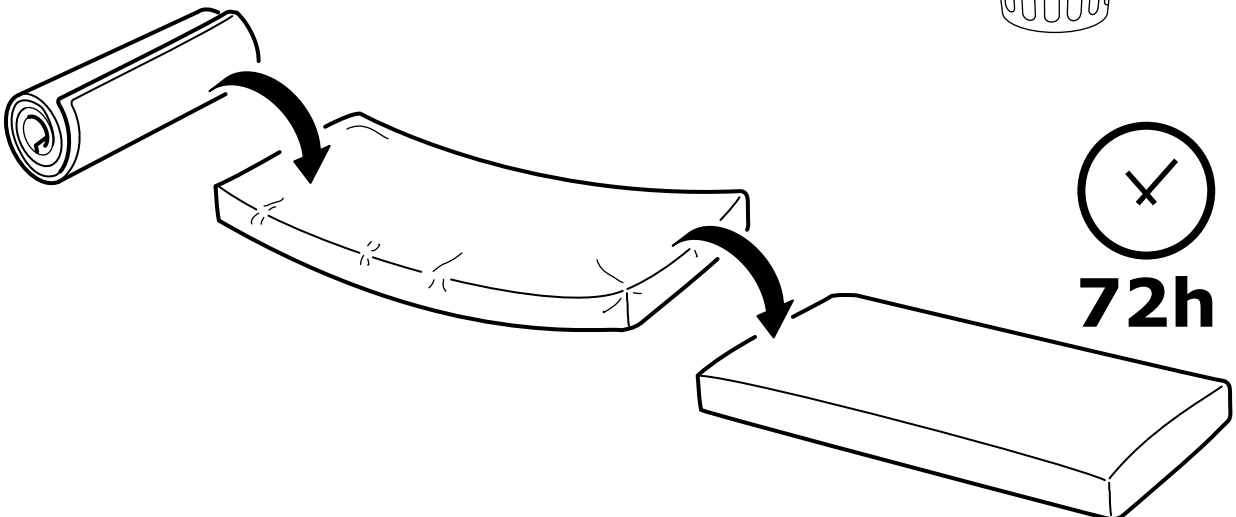
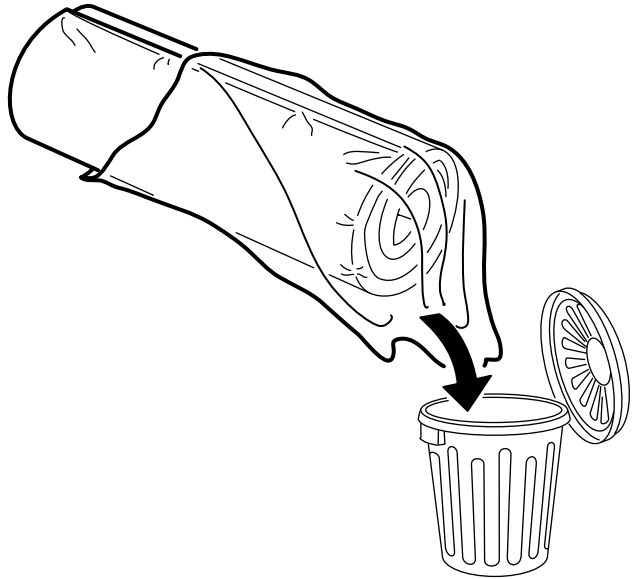
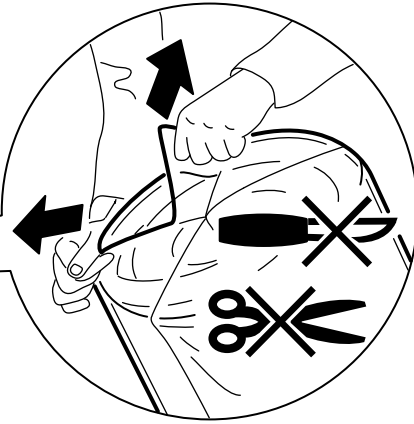
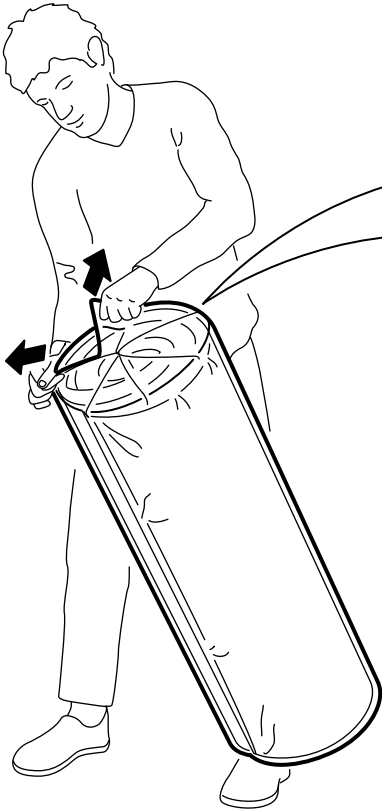
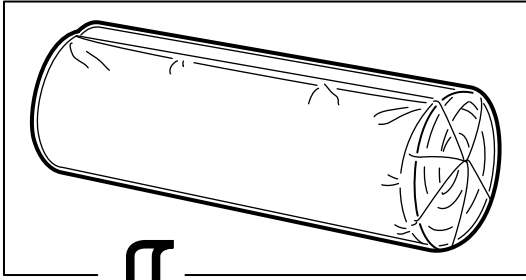


9

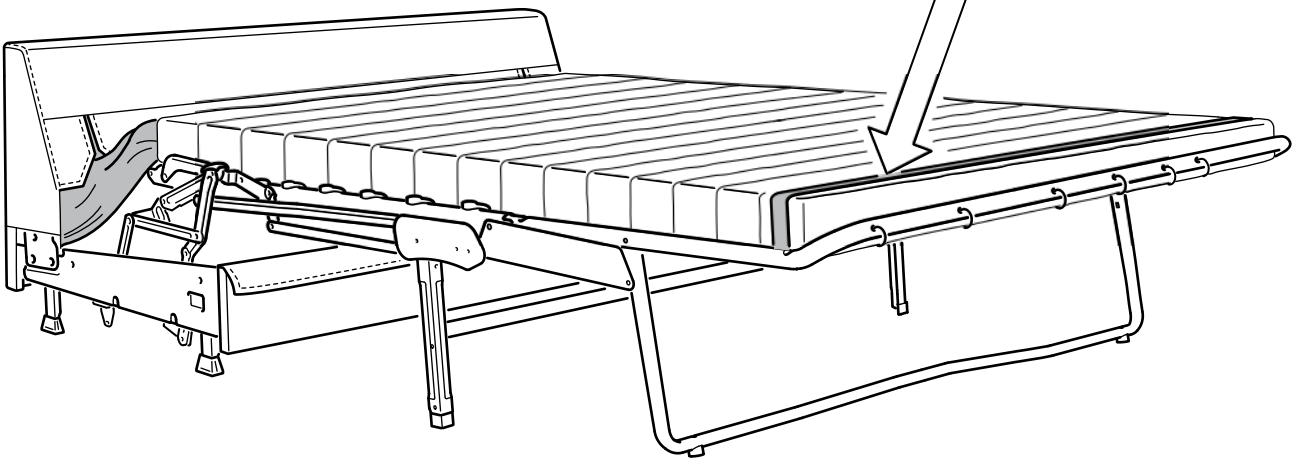
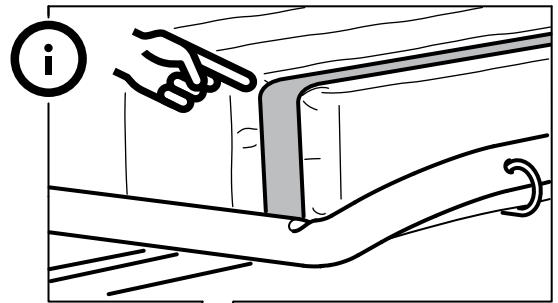
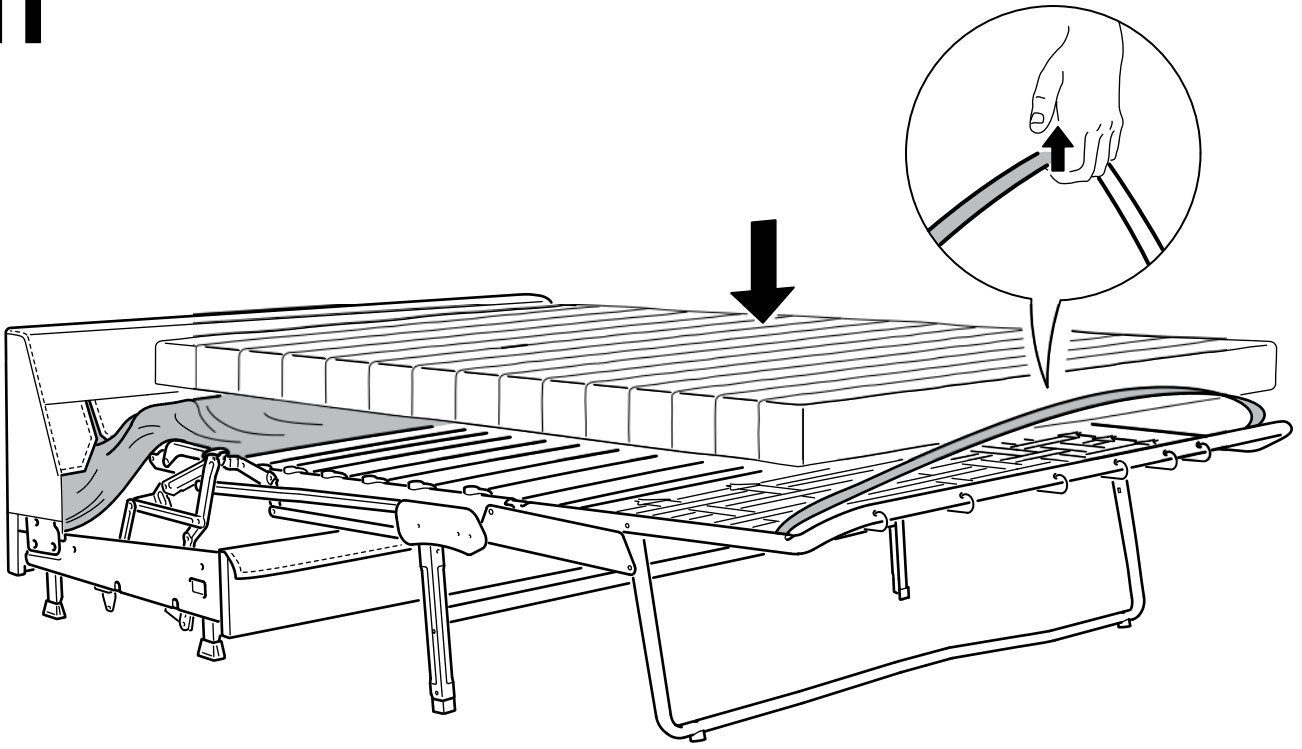


10

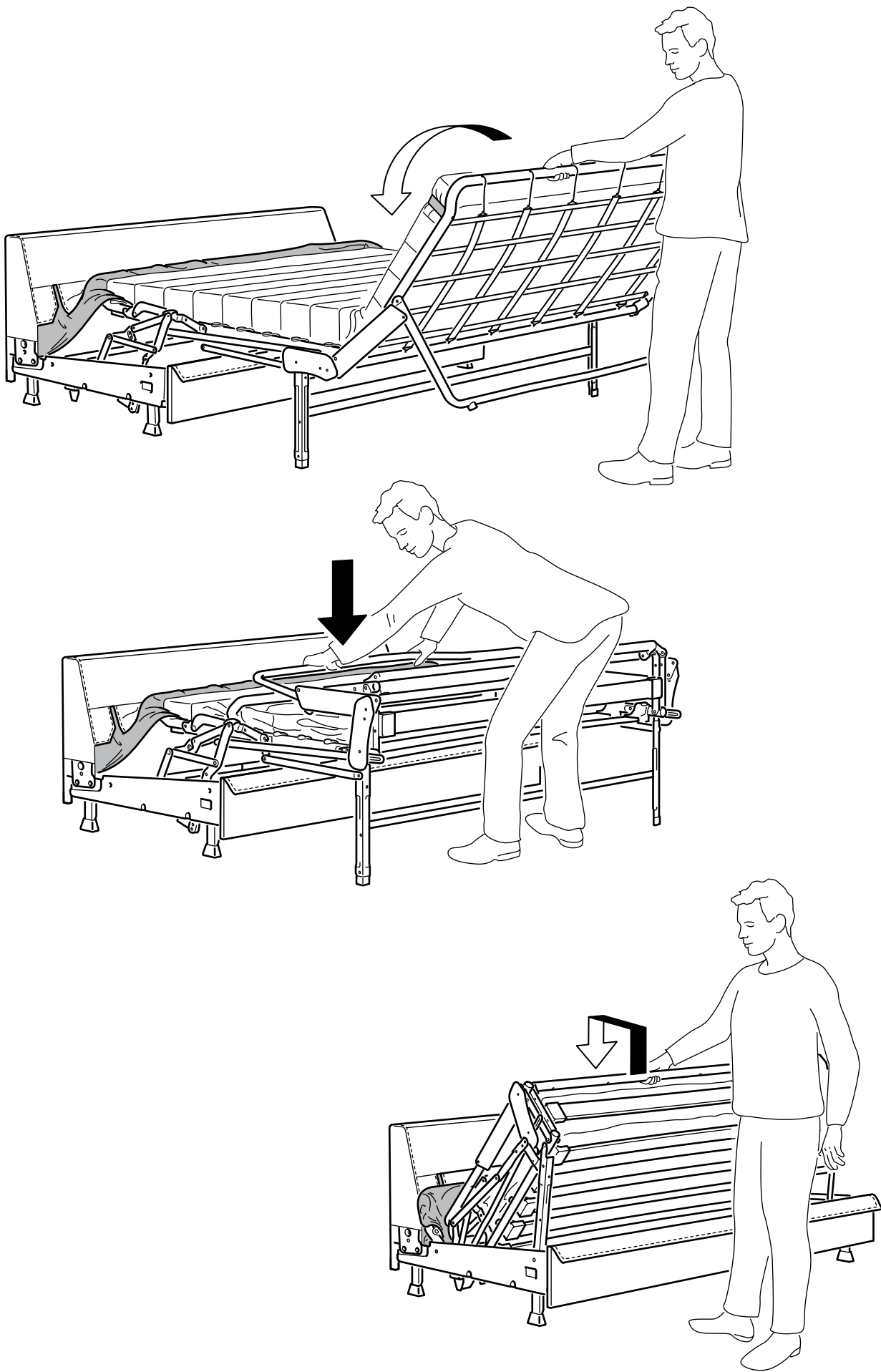


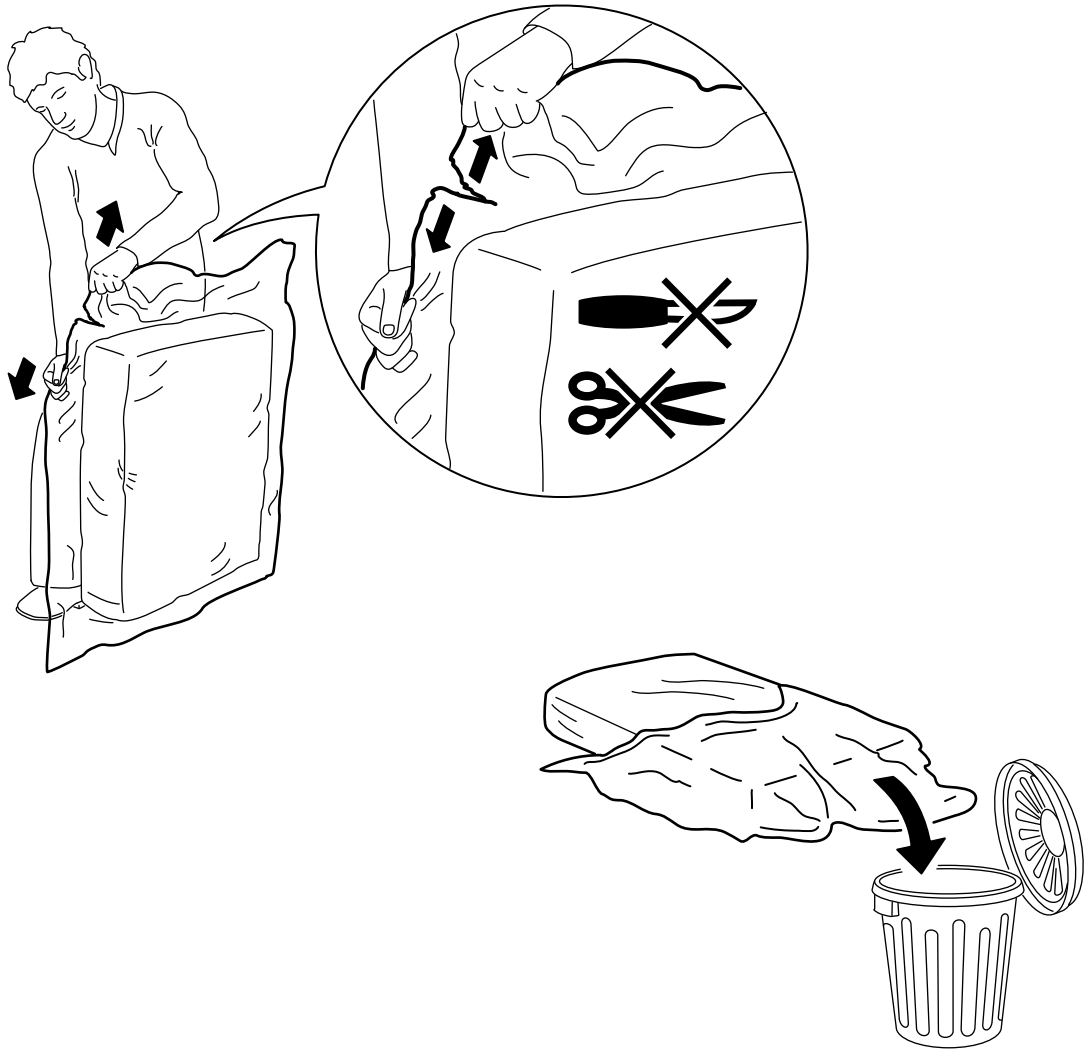


11

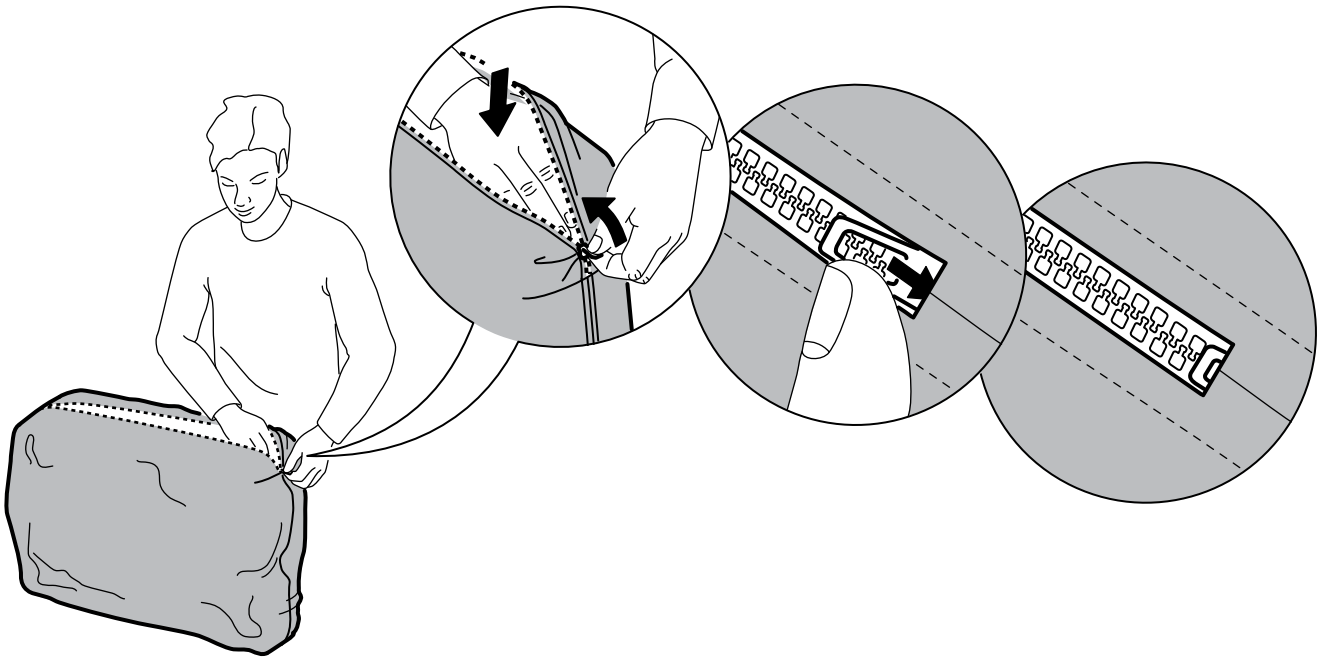
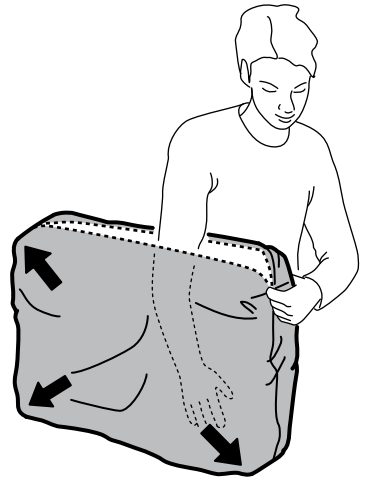
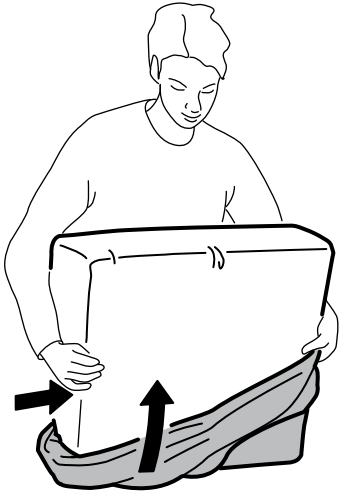
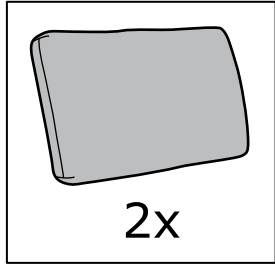
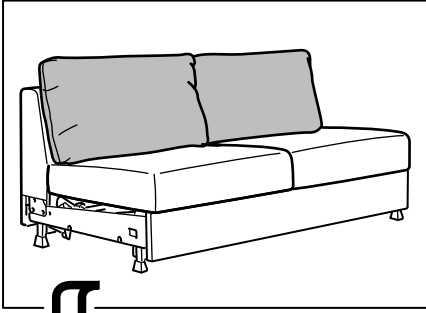


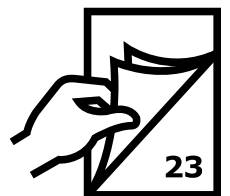
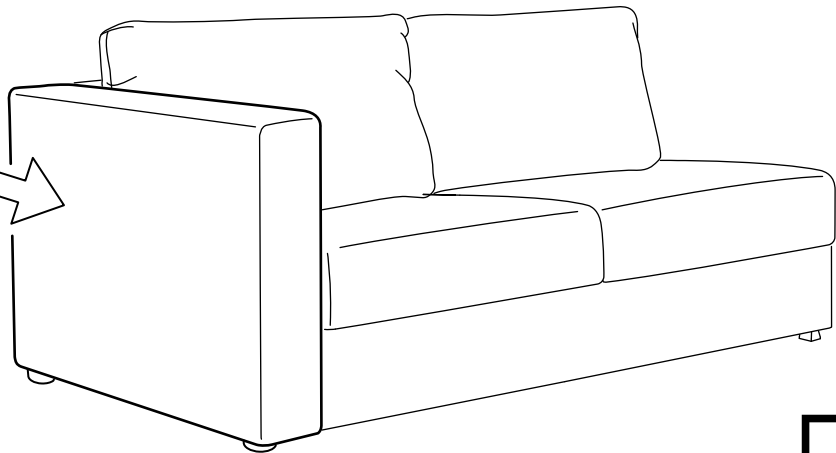
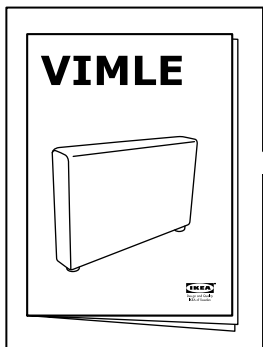
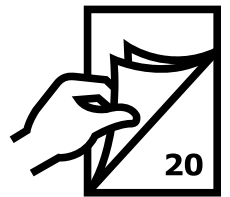
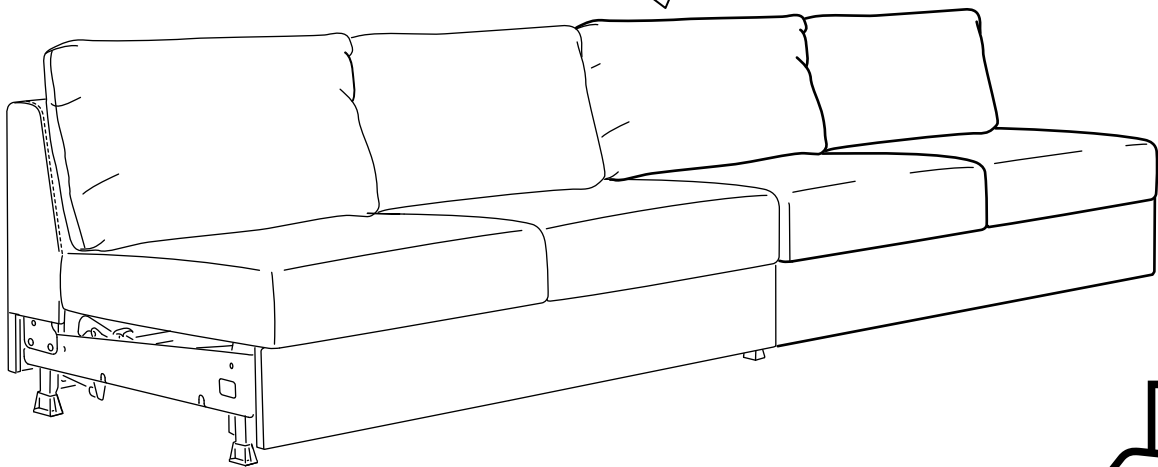
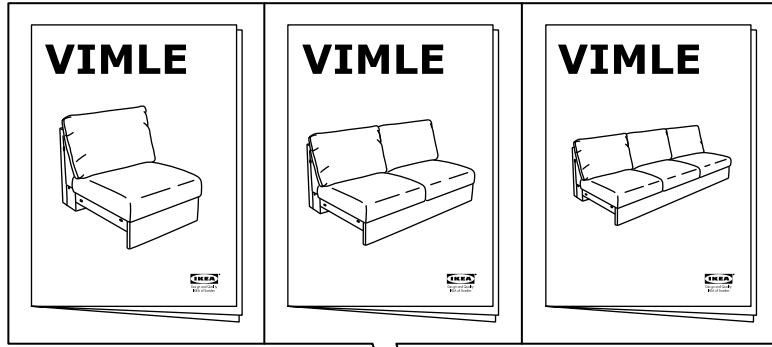
12

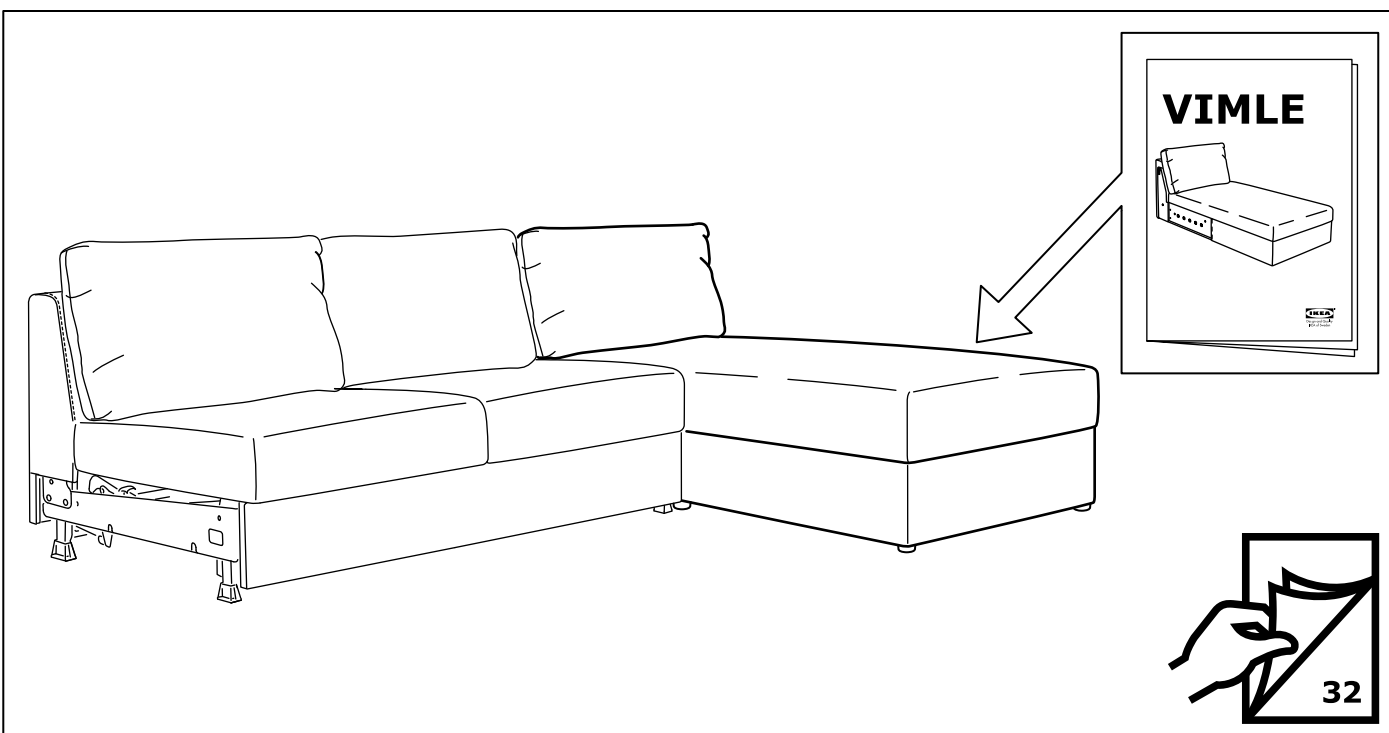
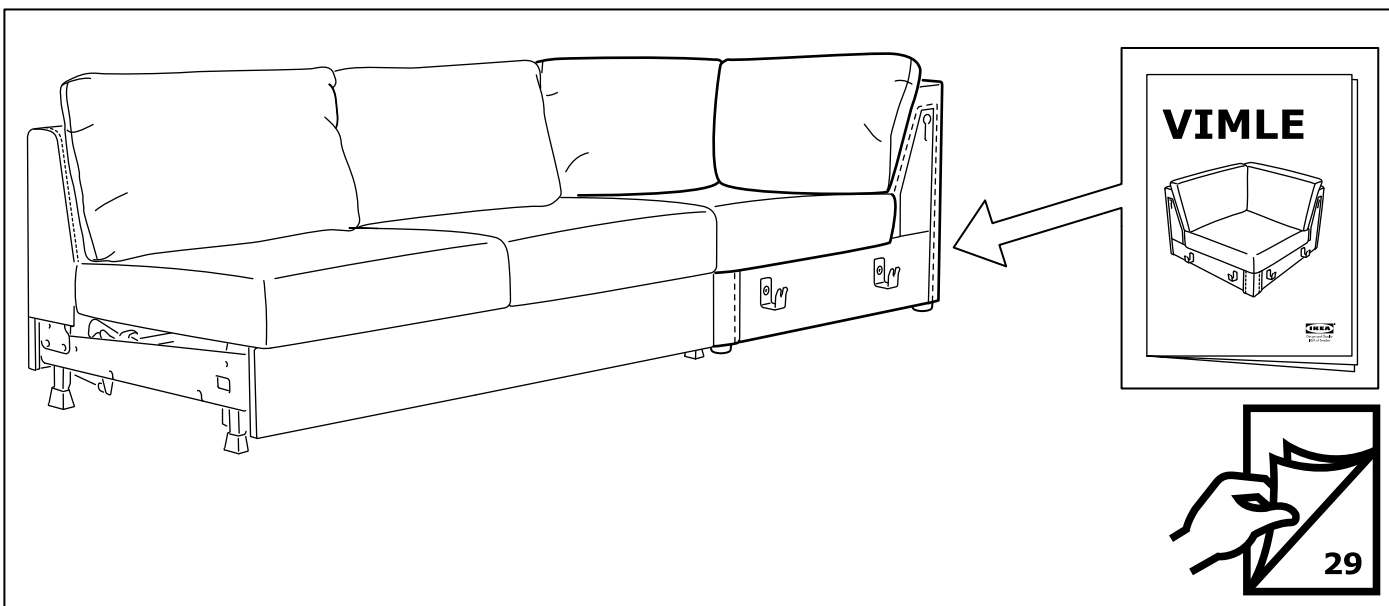
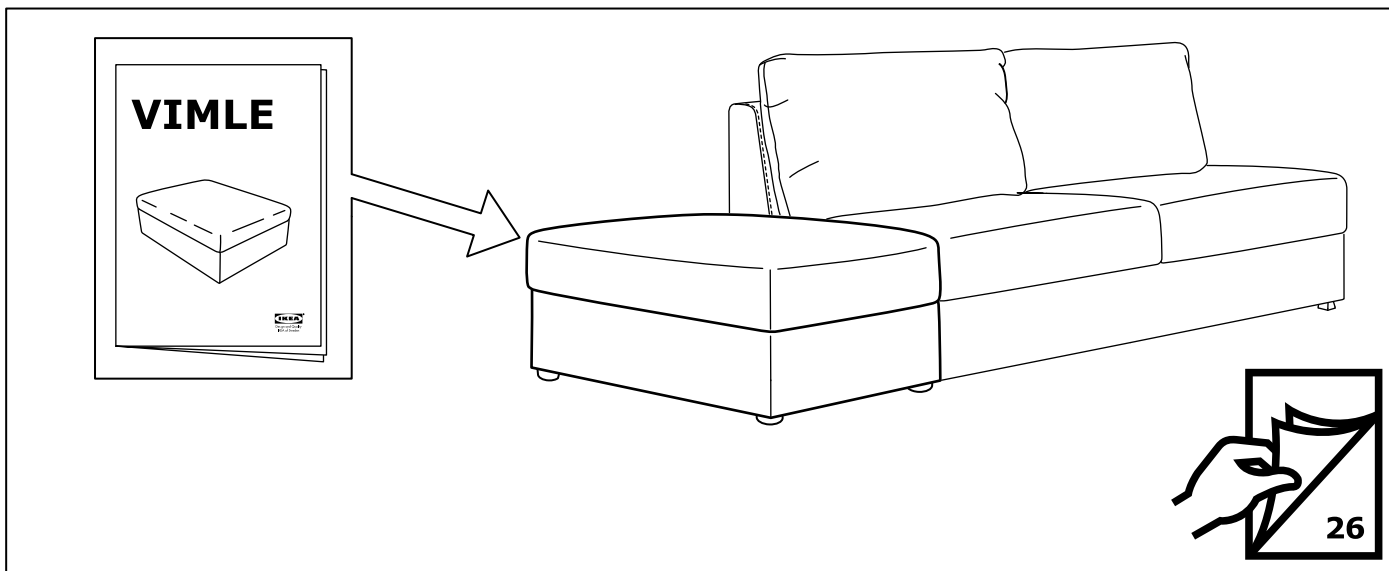




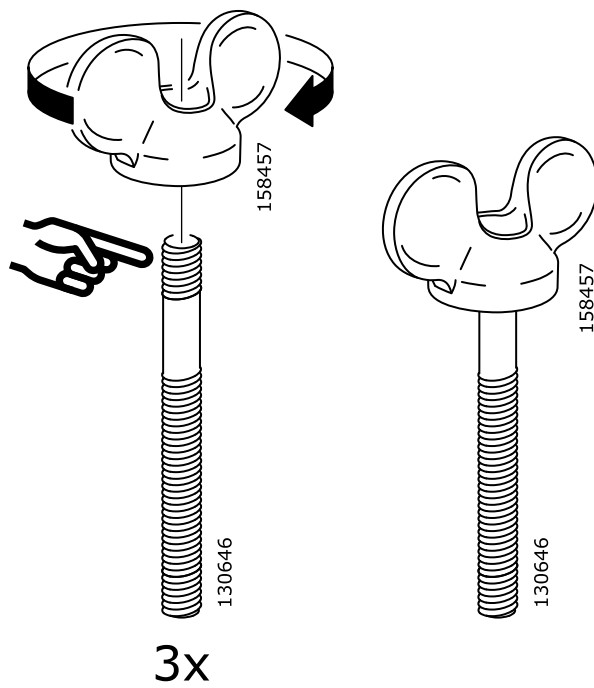
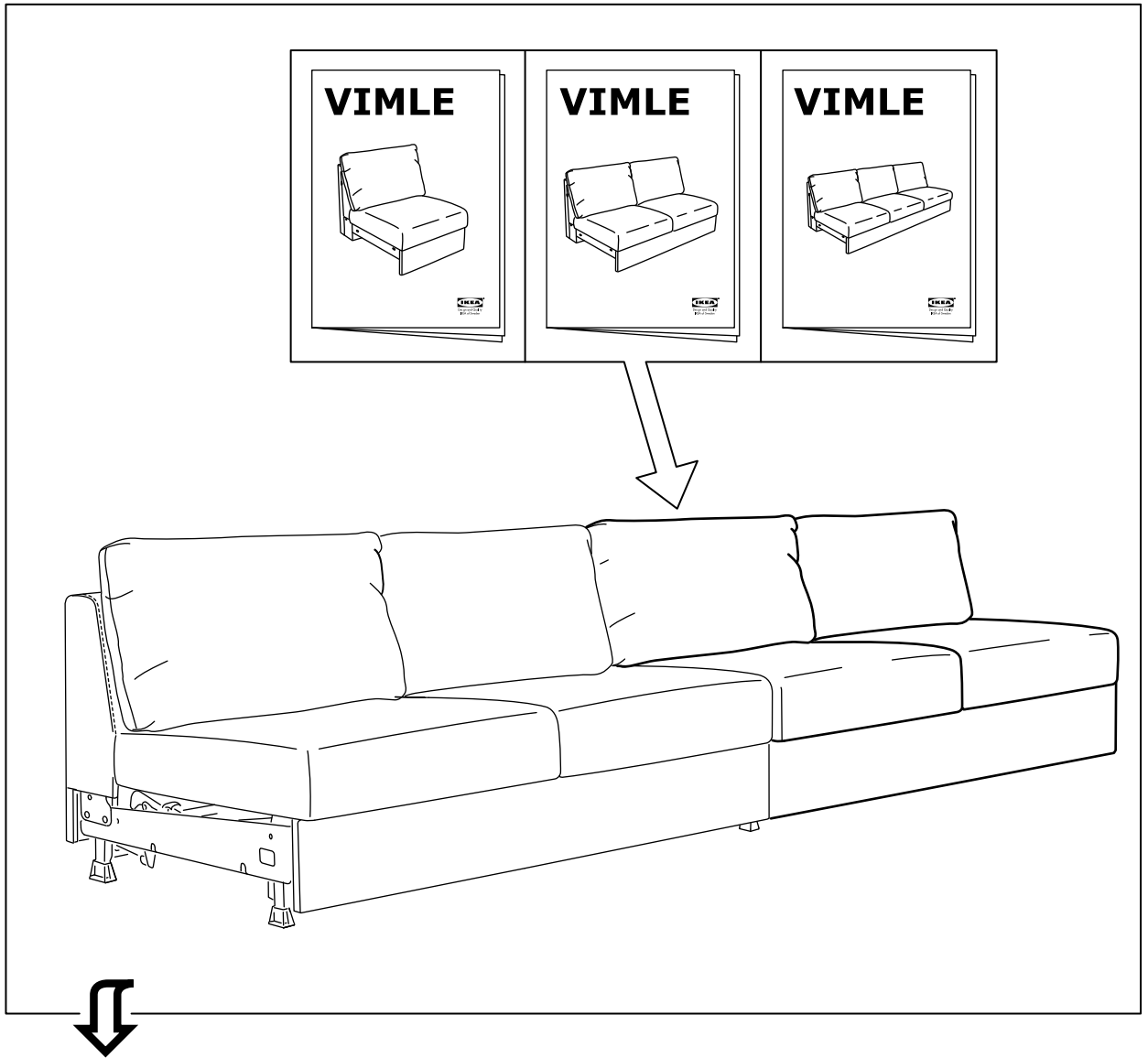
13



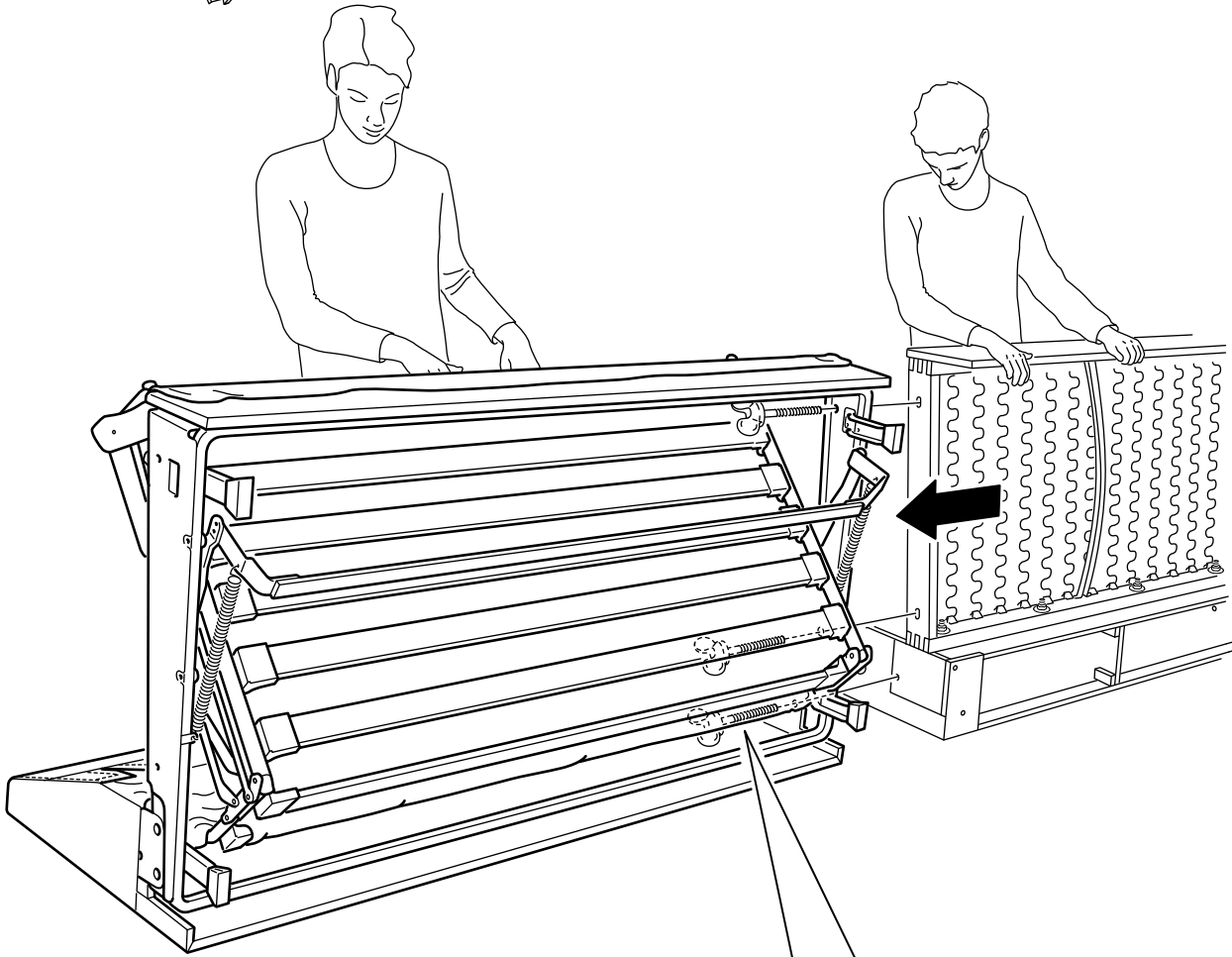
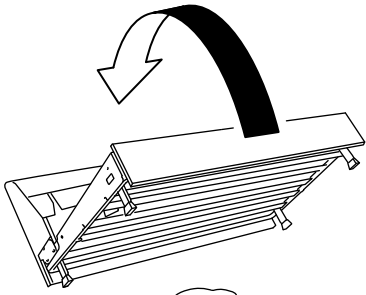




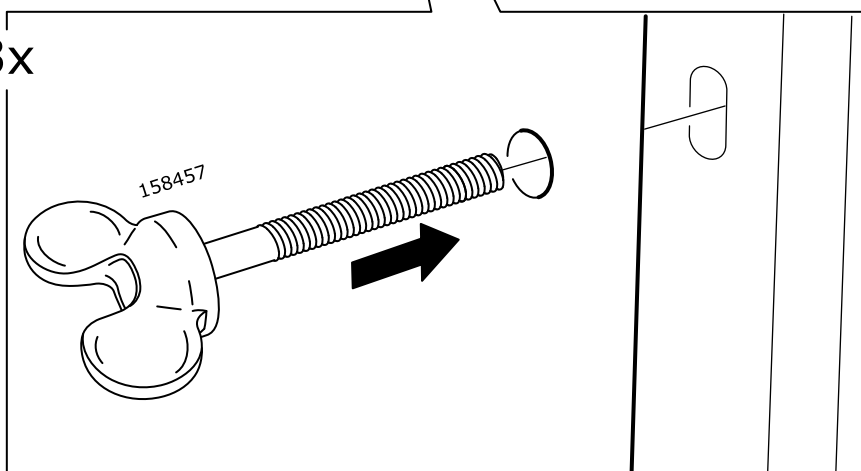
14

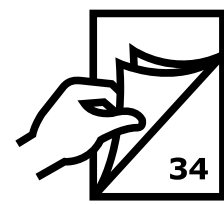
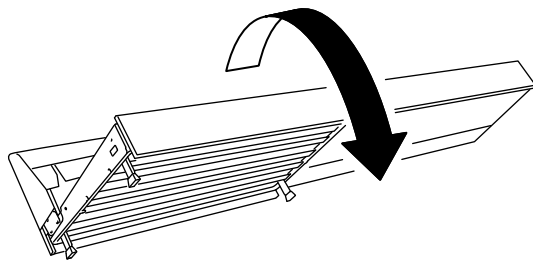
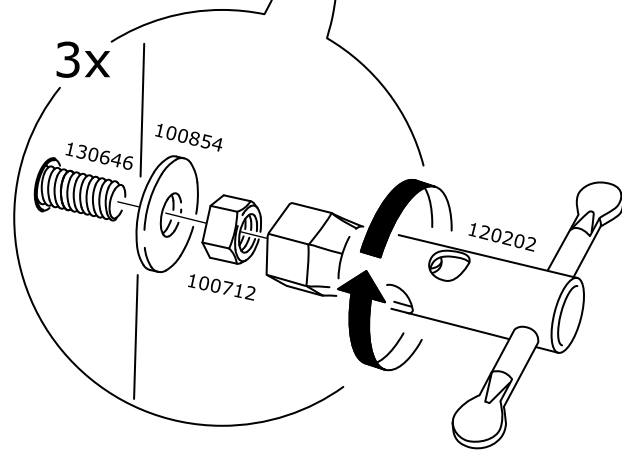
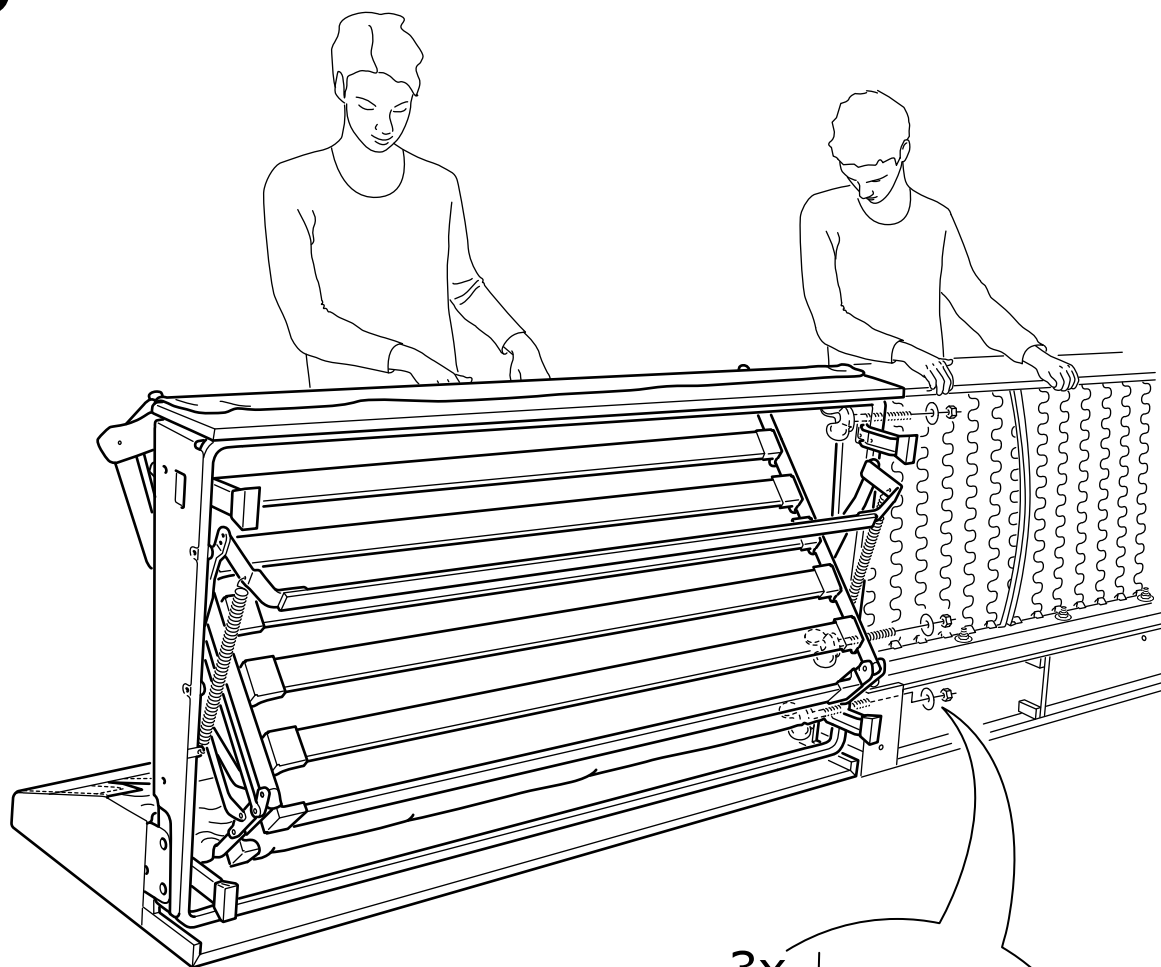


15

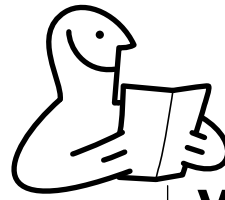
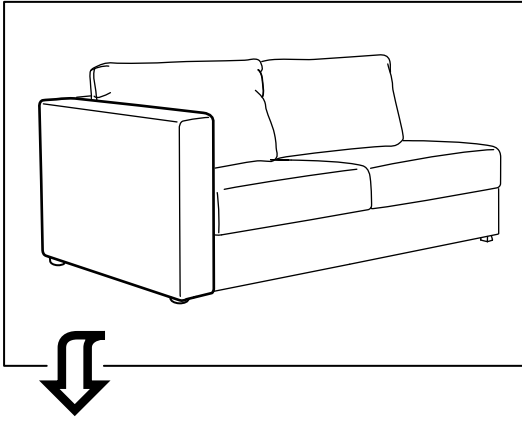


3x

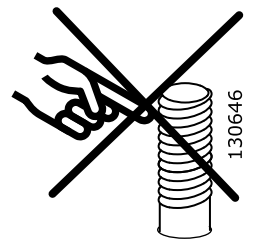
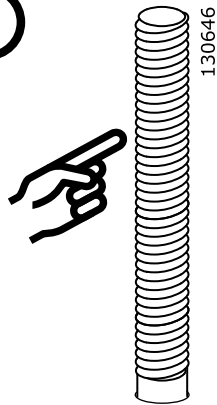
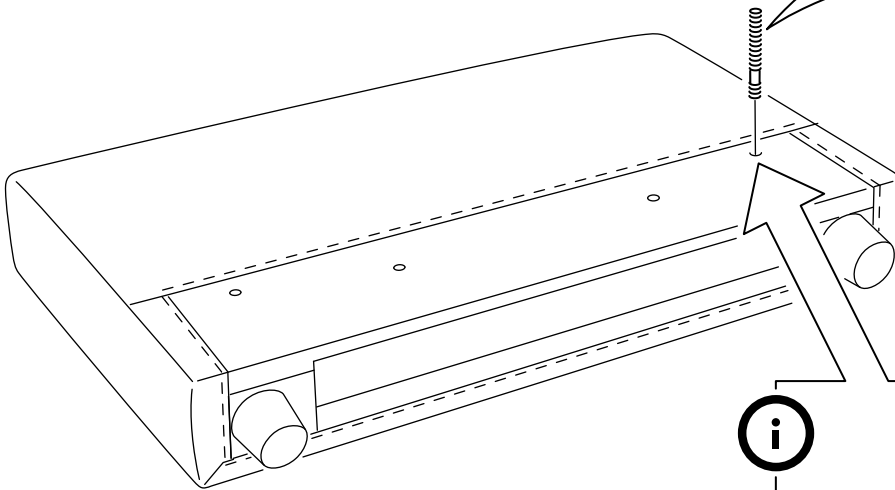
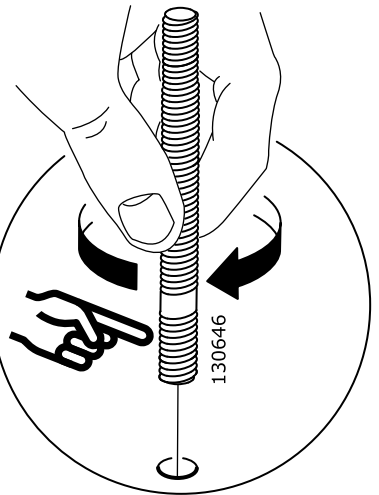
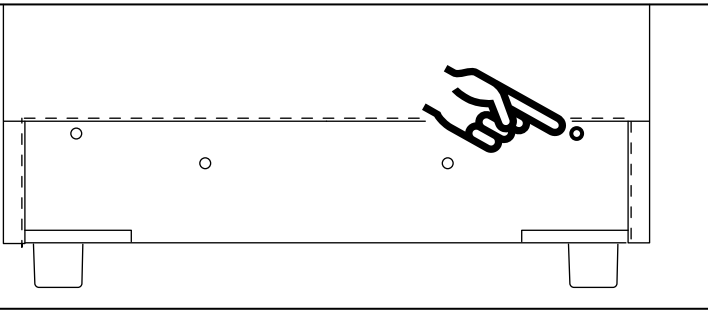
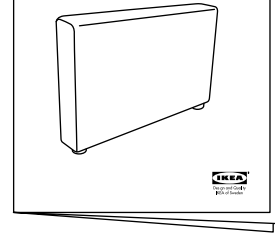




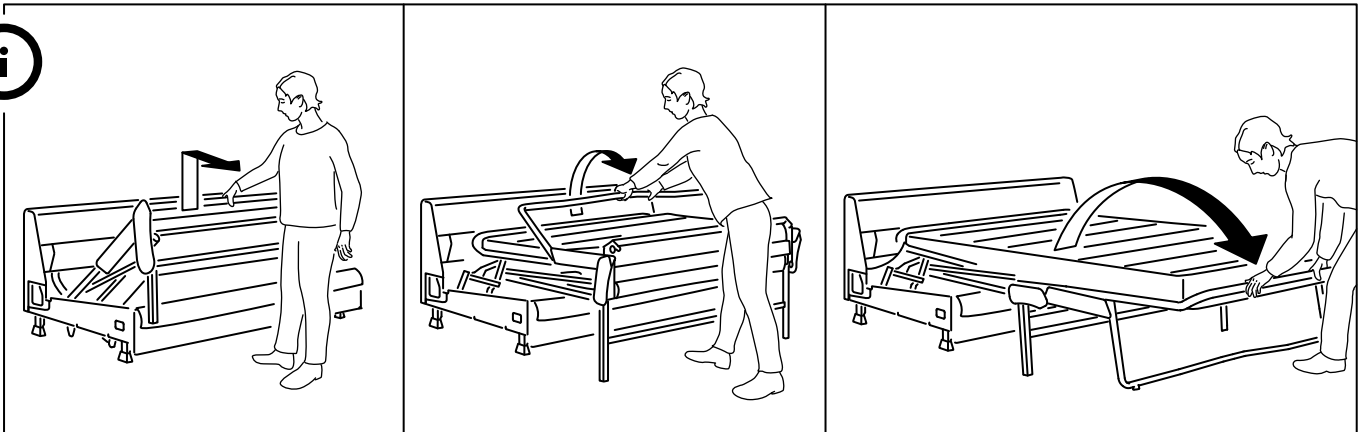
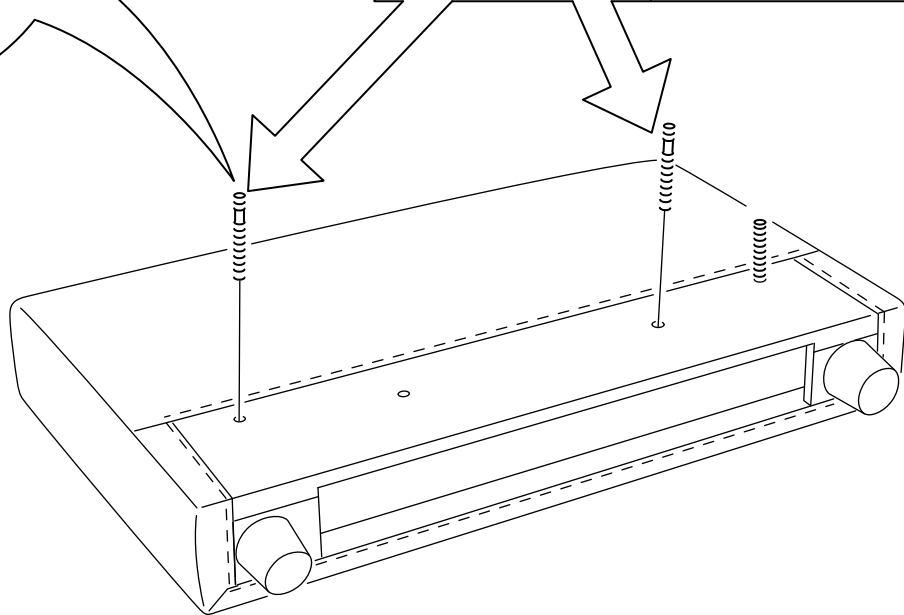
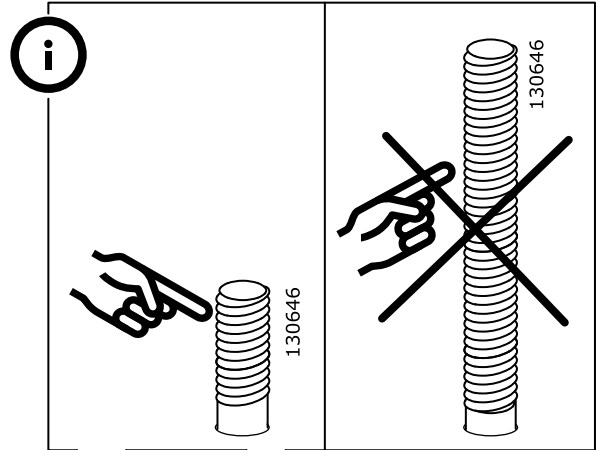
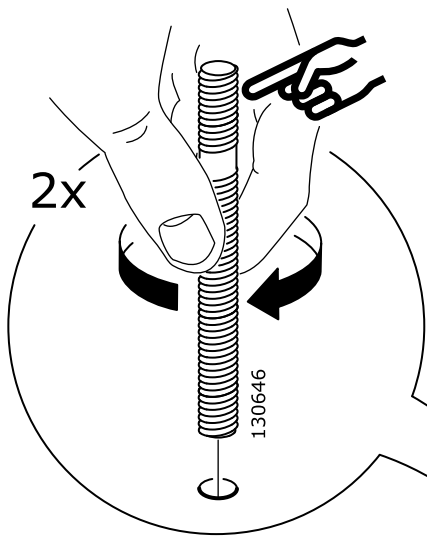
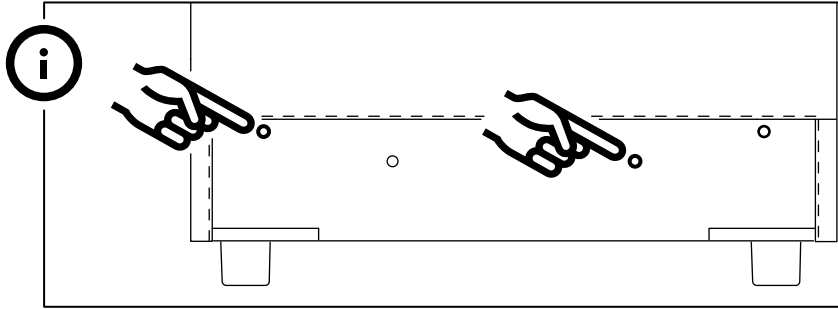
14



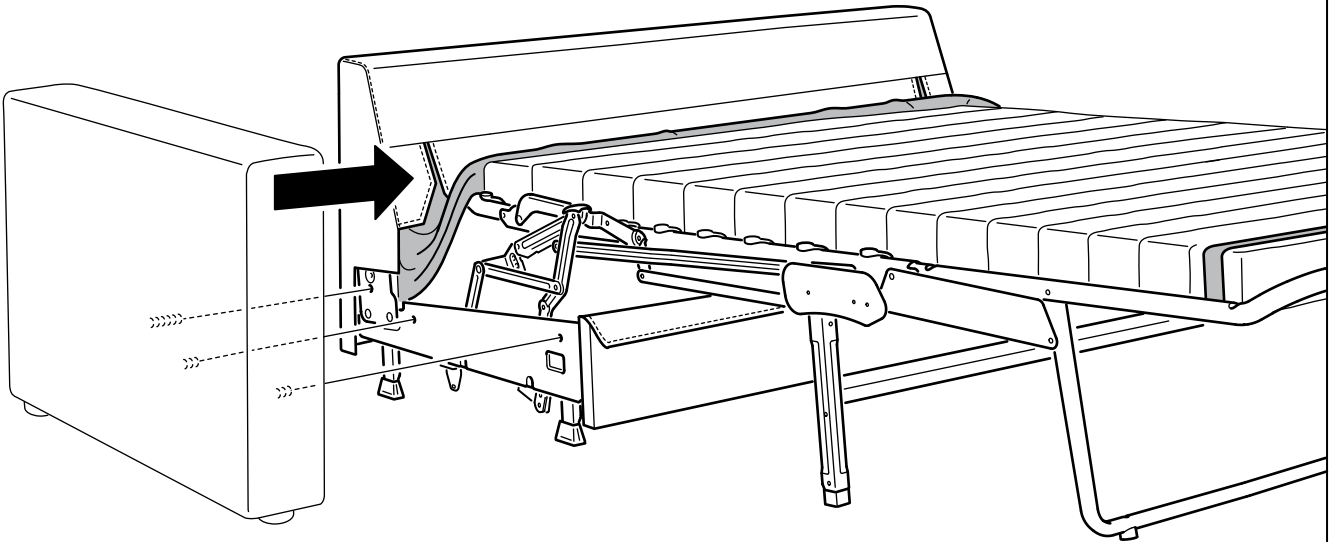
VIMLE



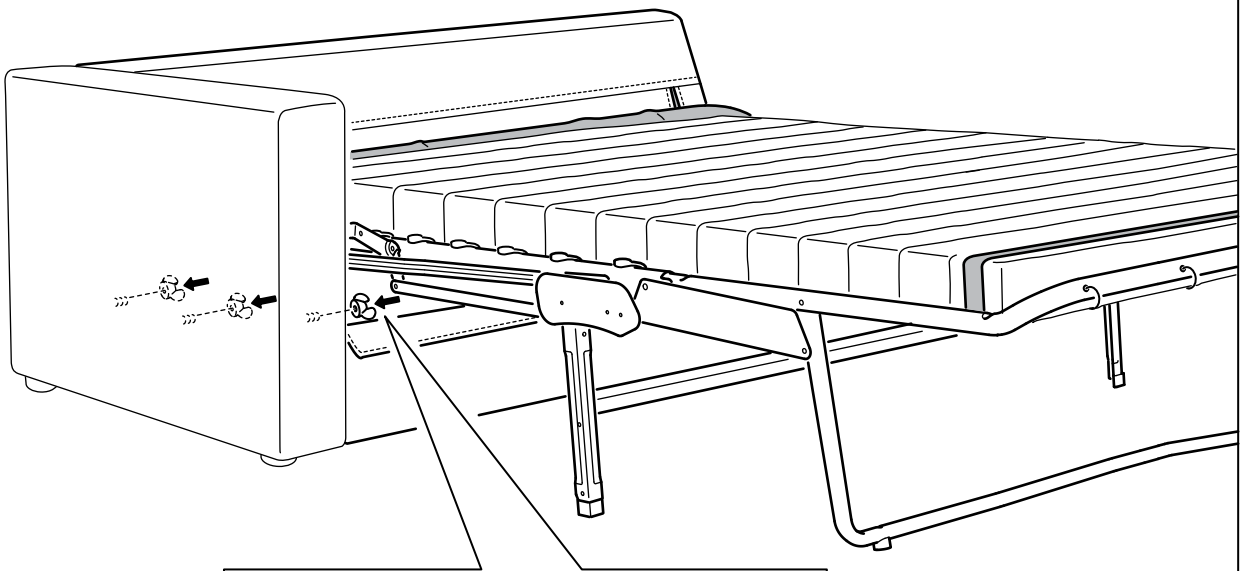
15



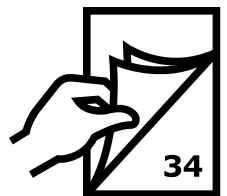
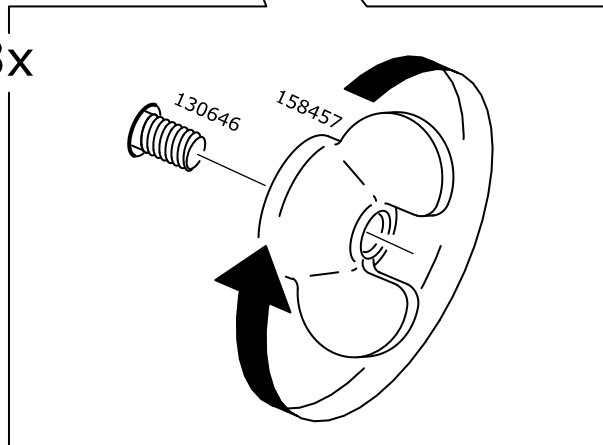
16



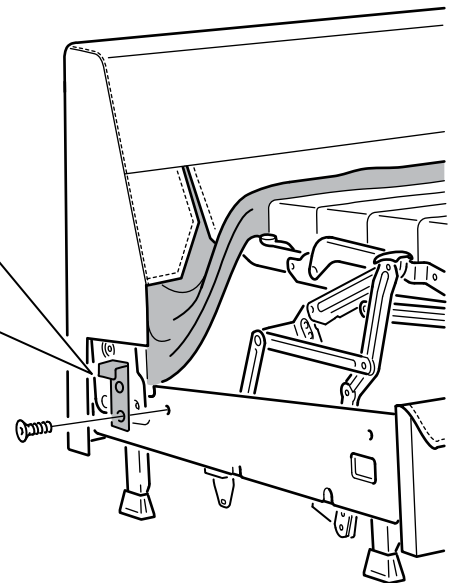
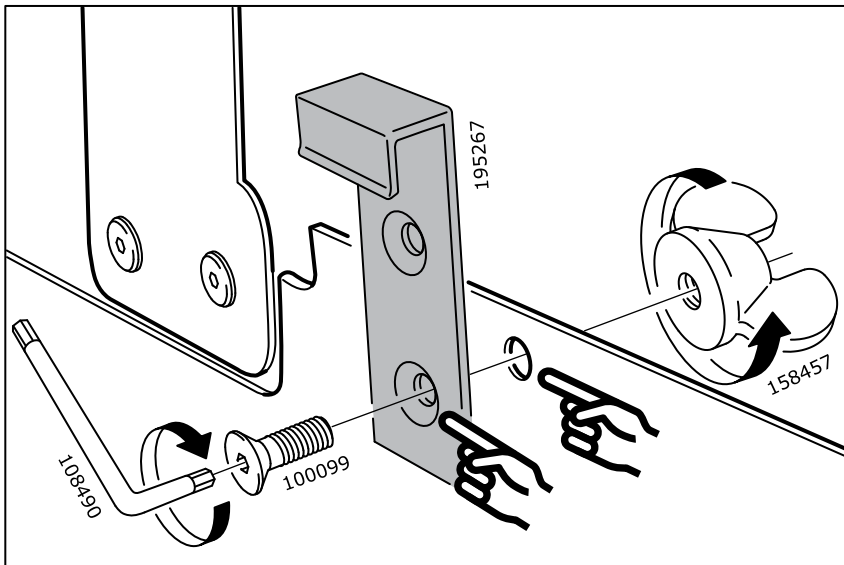
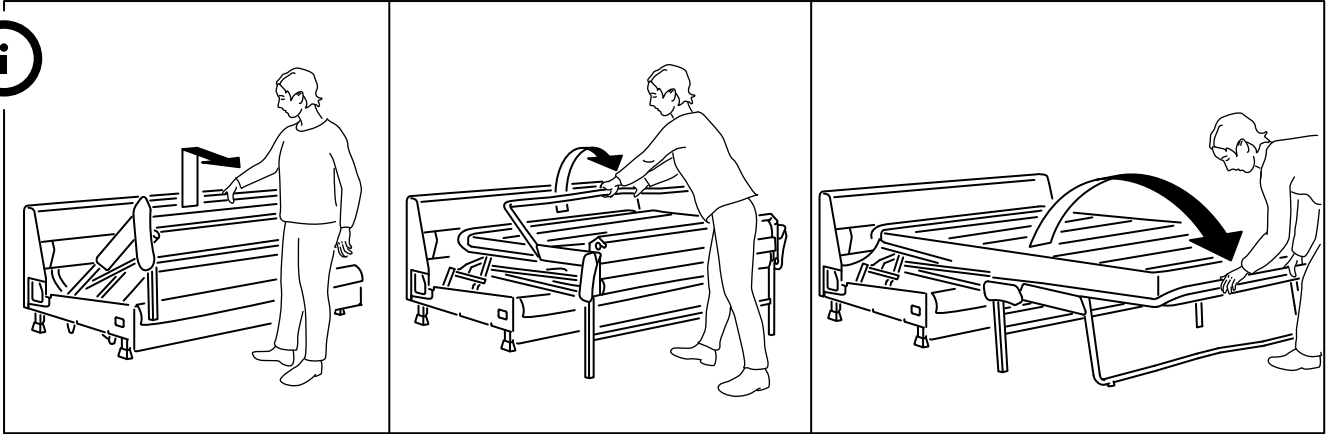
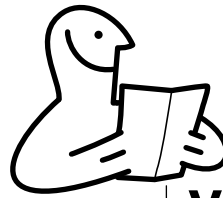
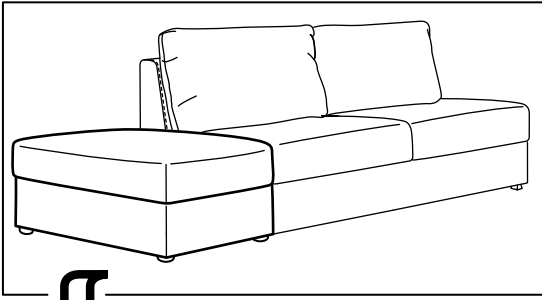
17

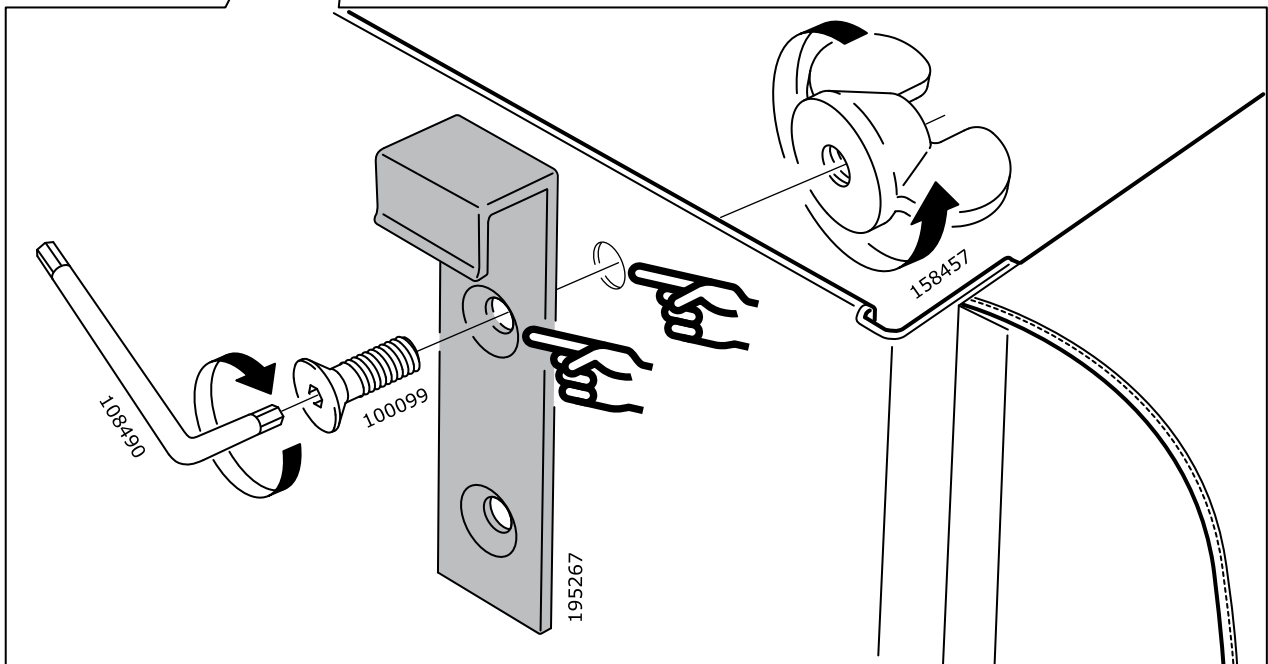
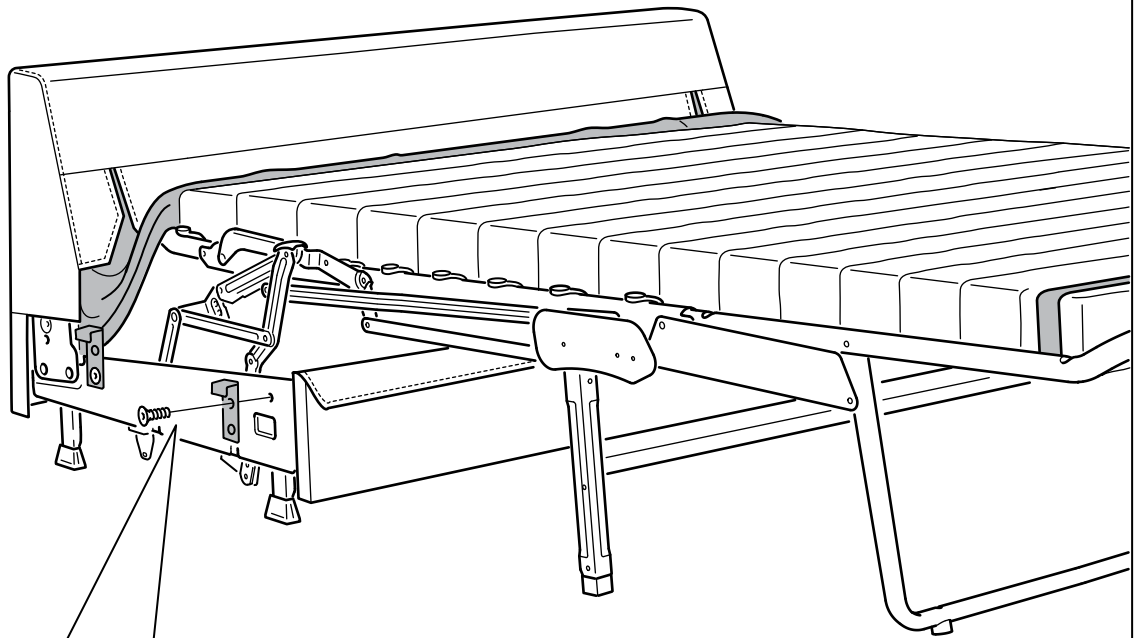


3x

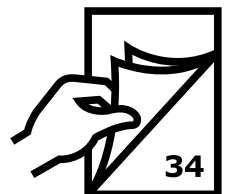
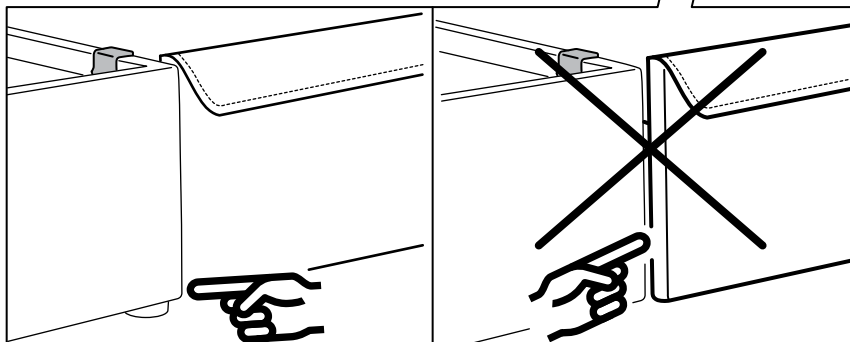
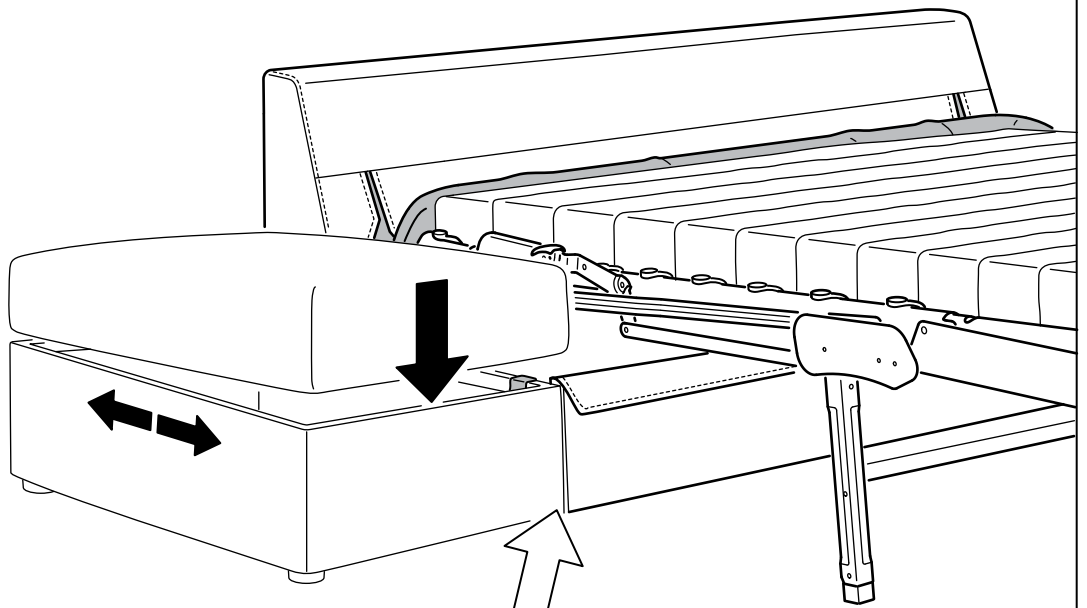
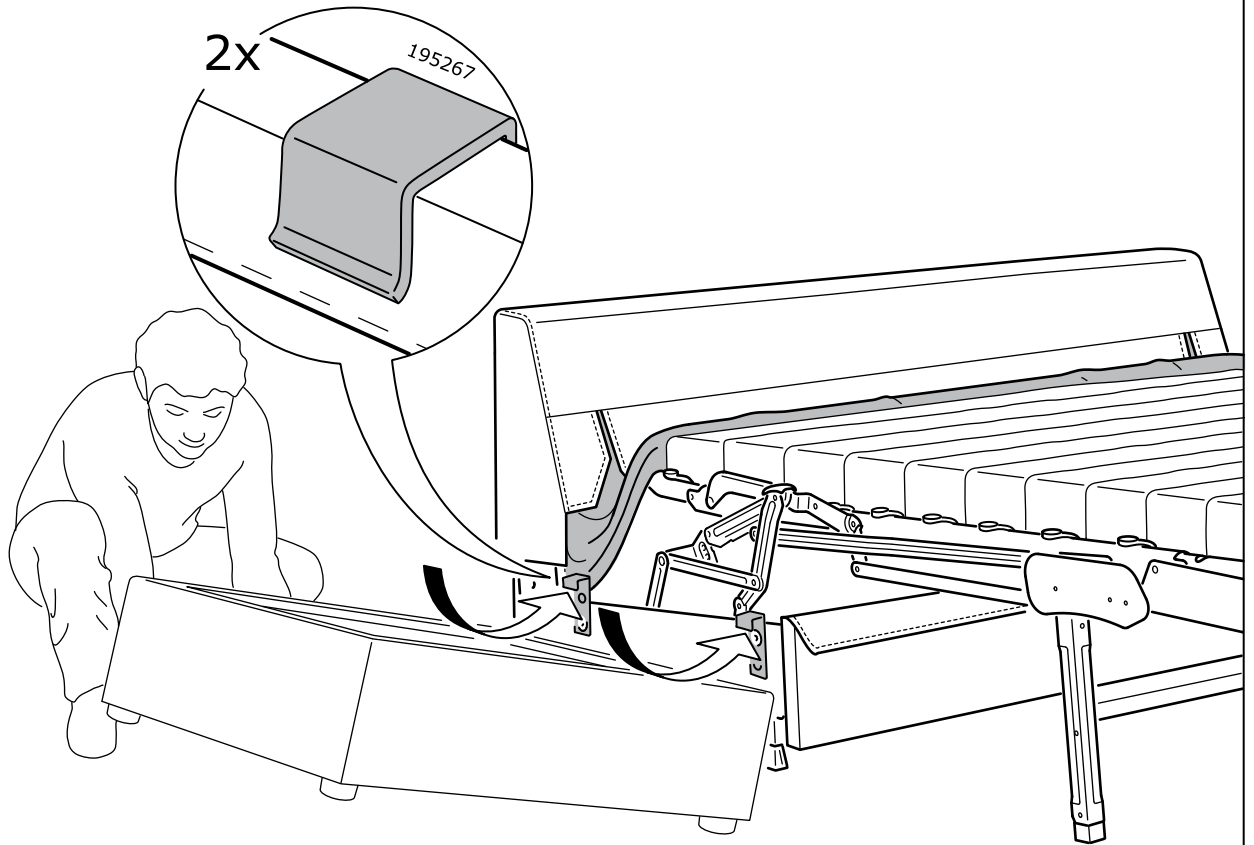


14

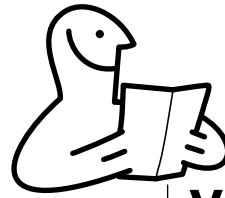
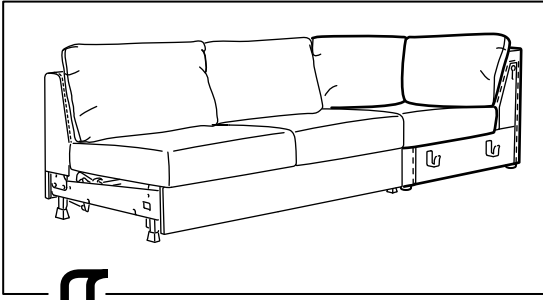




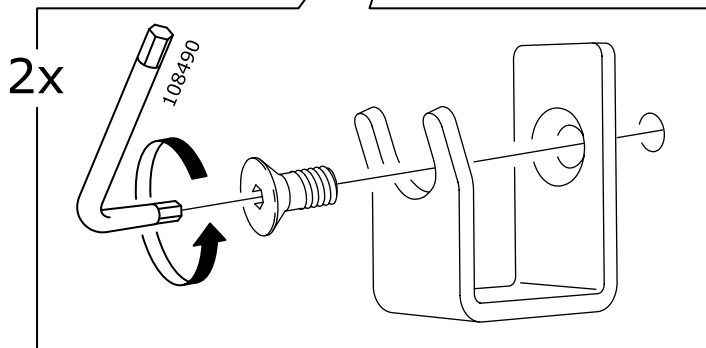
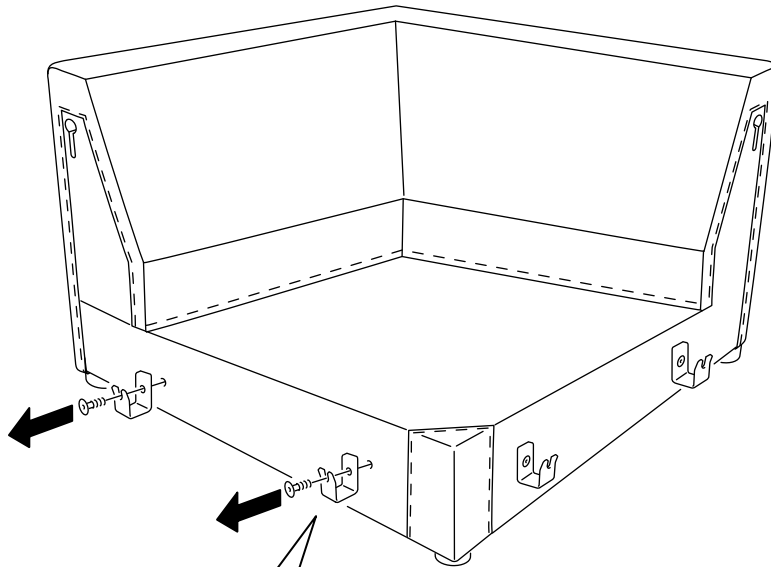
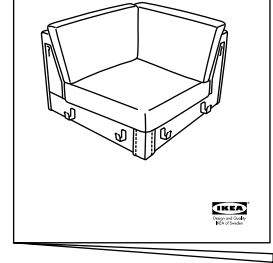
15



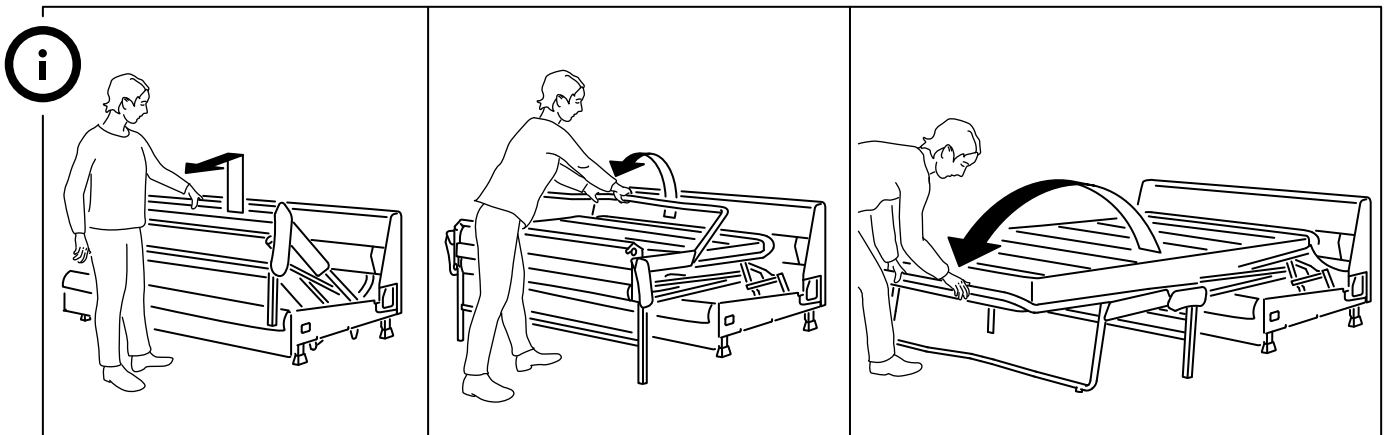
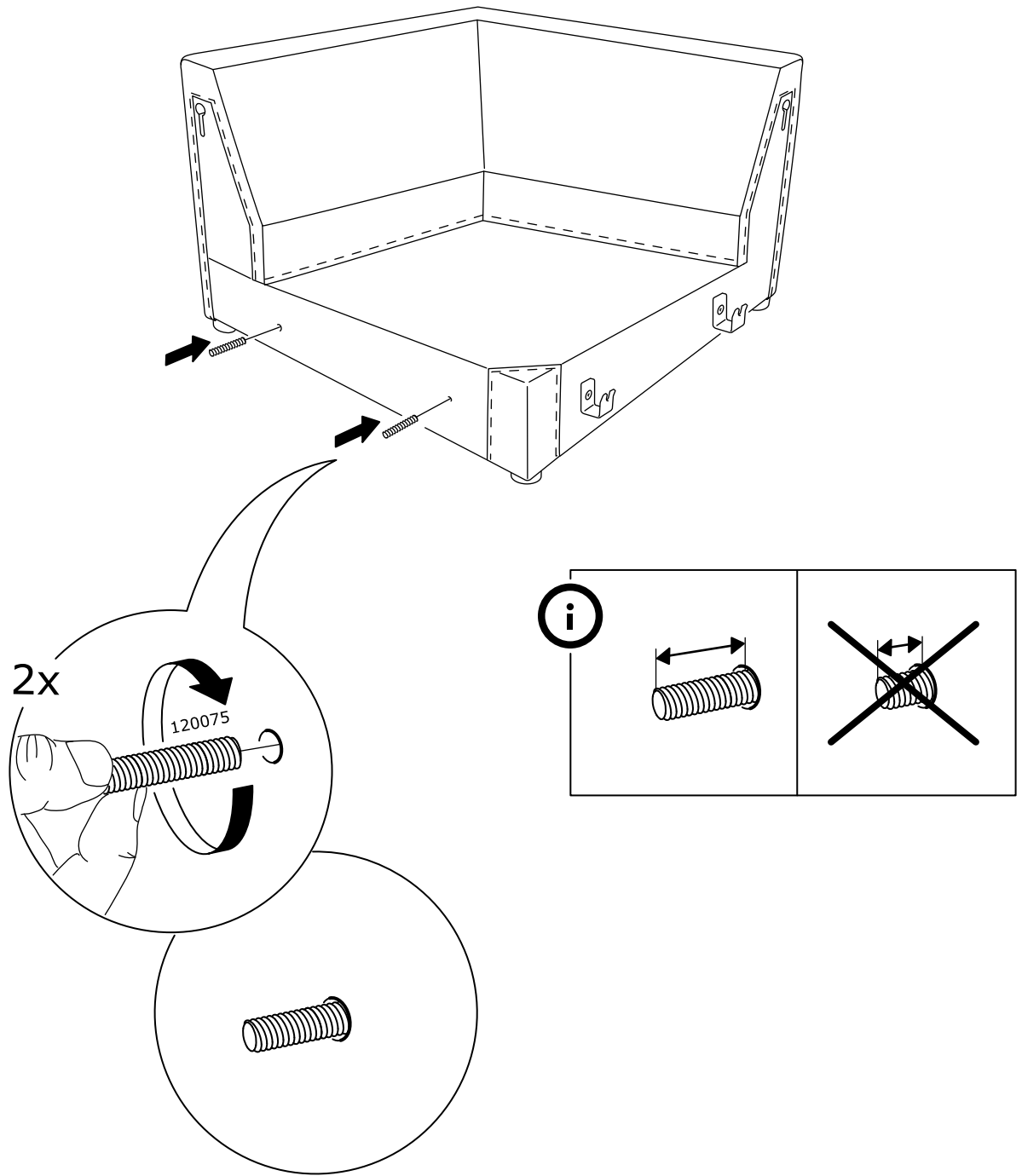
14



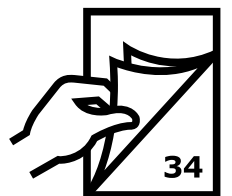
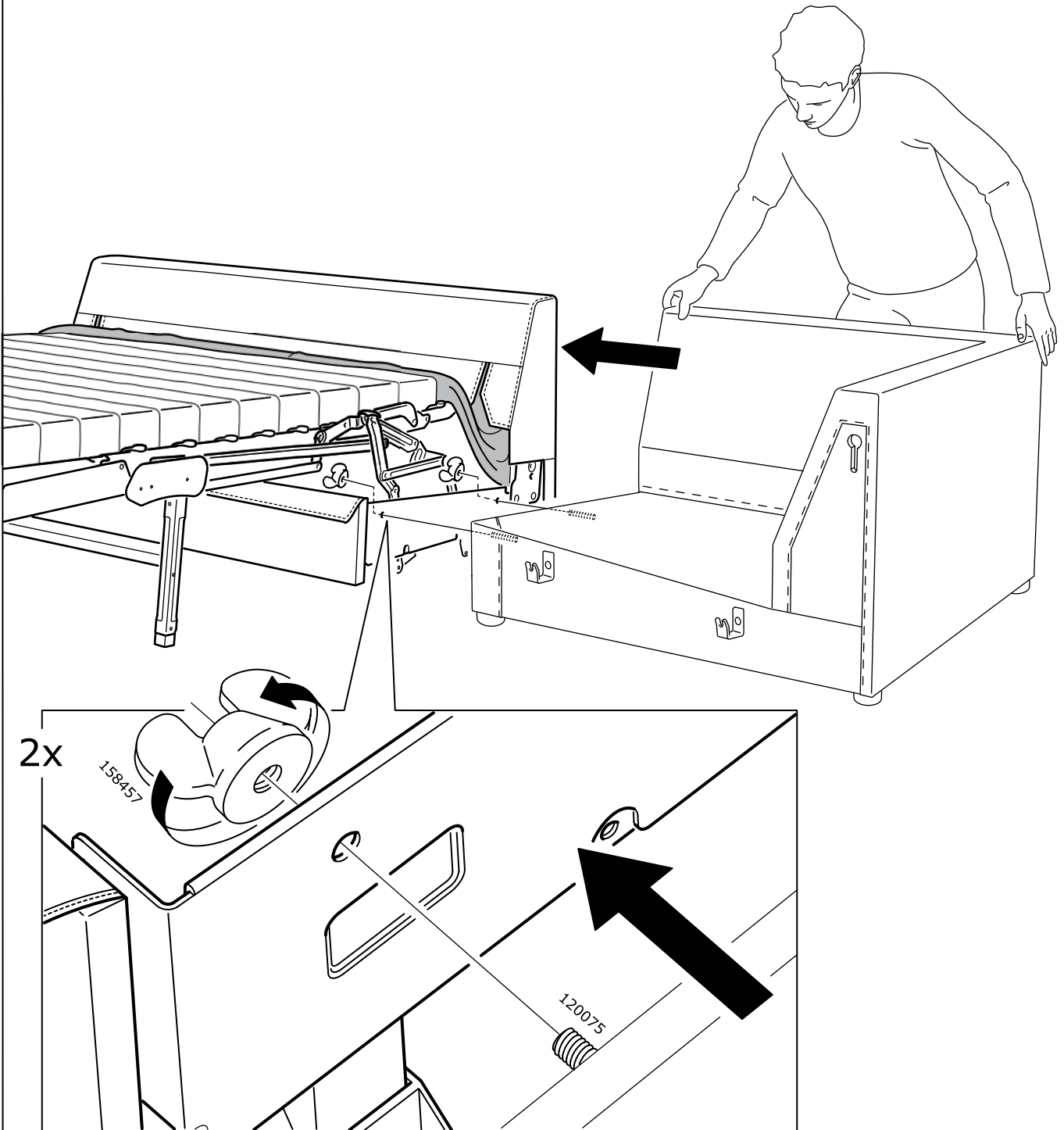
VIMLE



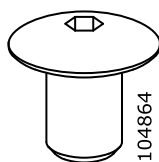
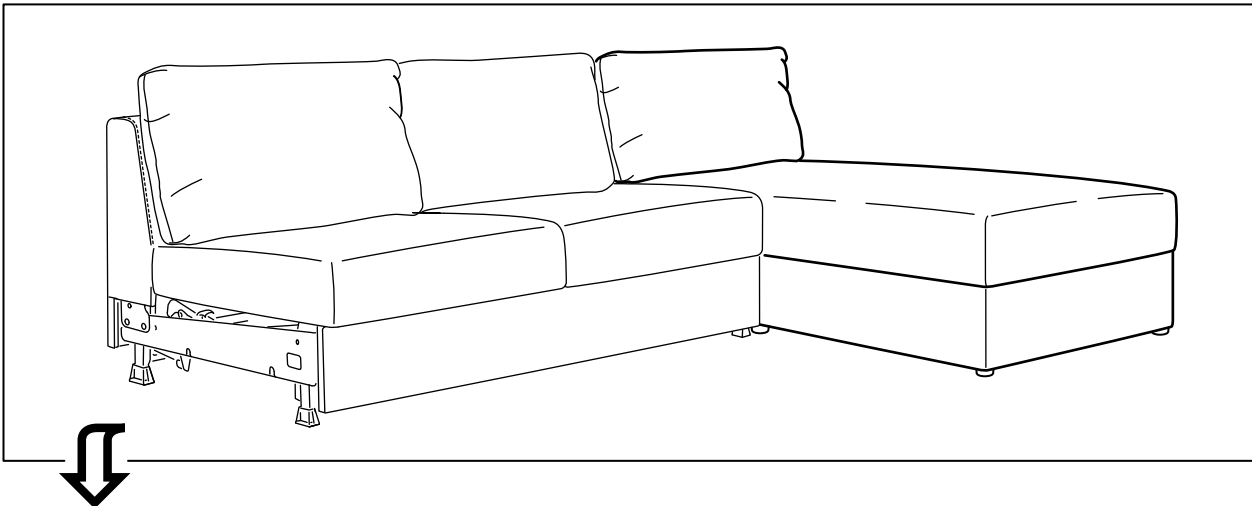
15



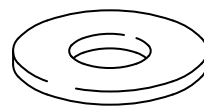
16



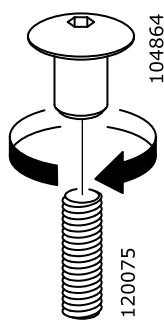
14



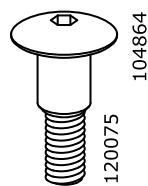
2x



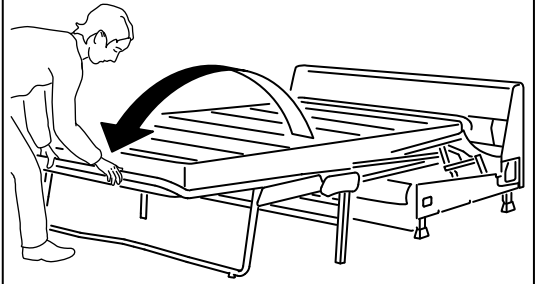
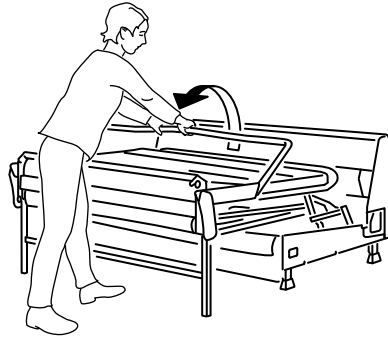
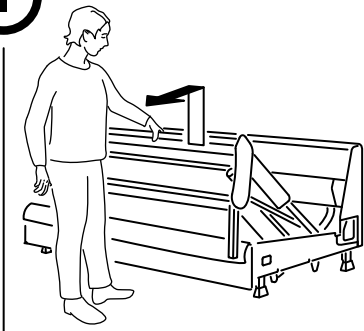
2x



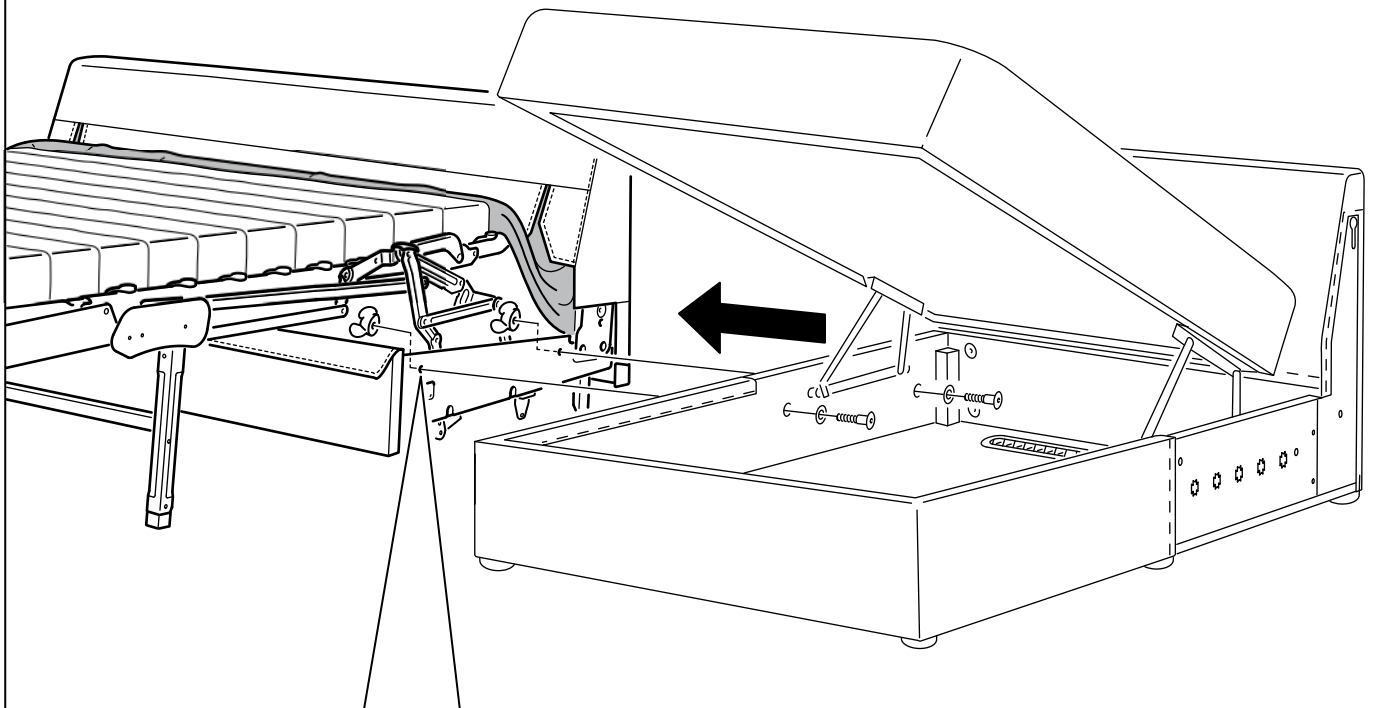
2x



i



15



2x

