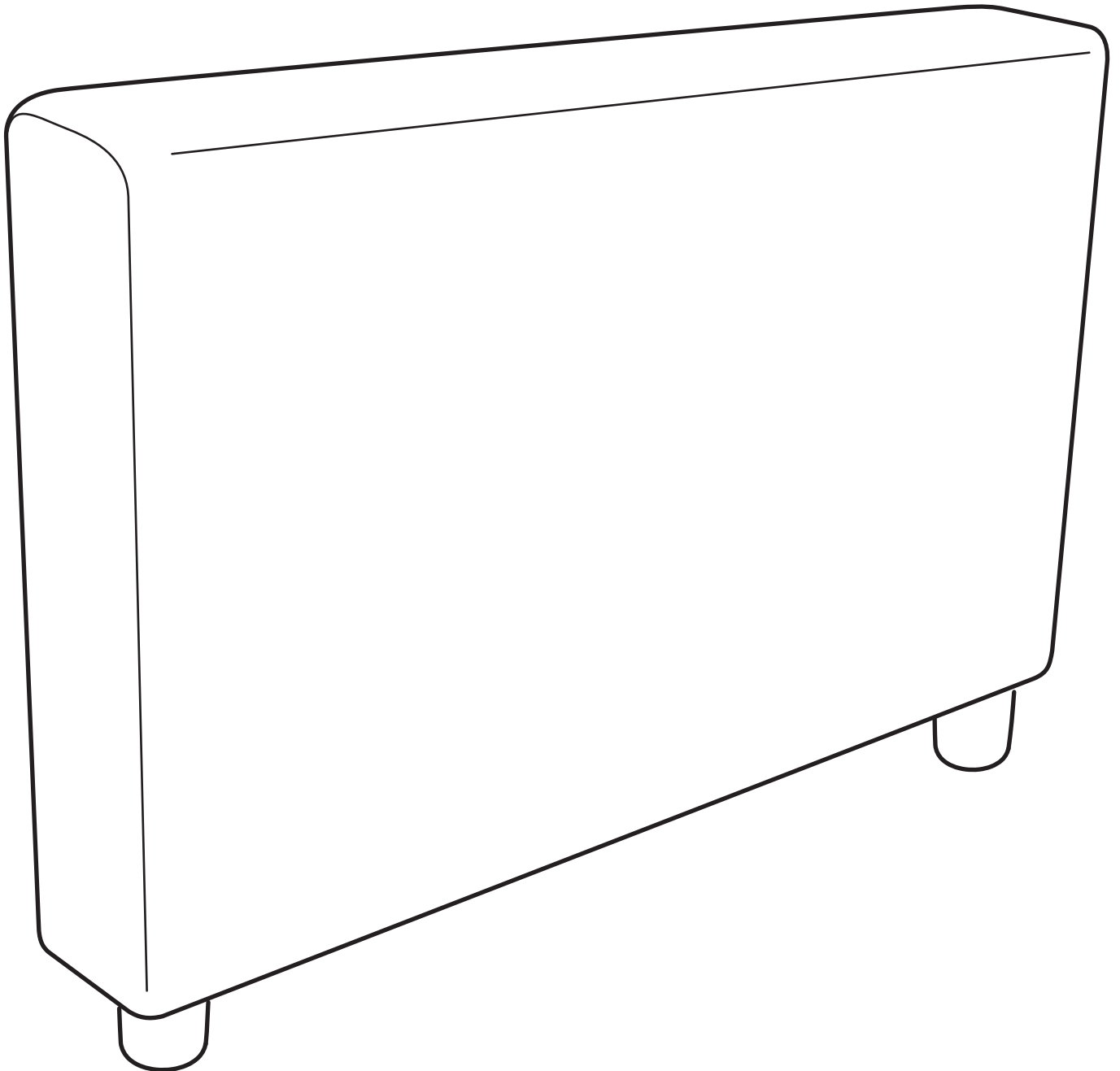
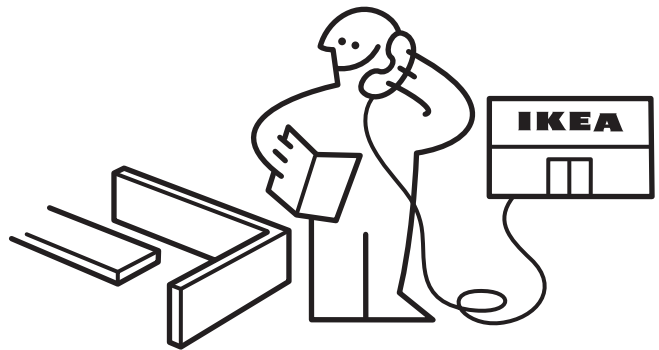
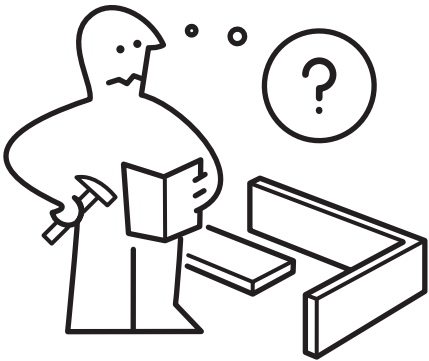
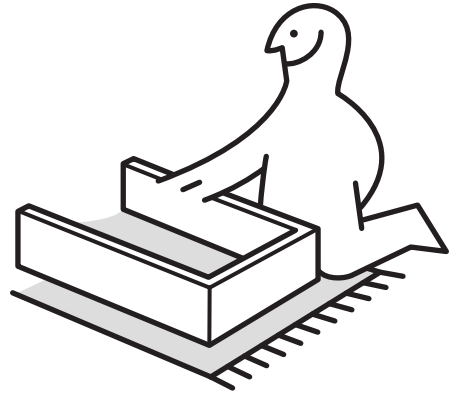
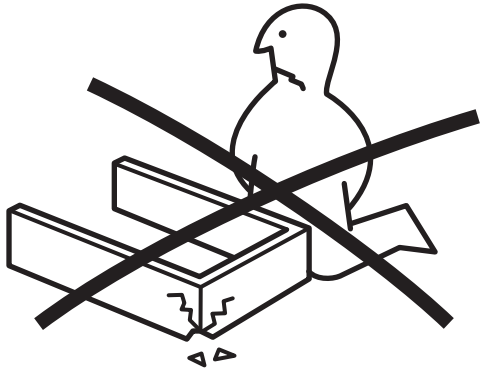


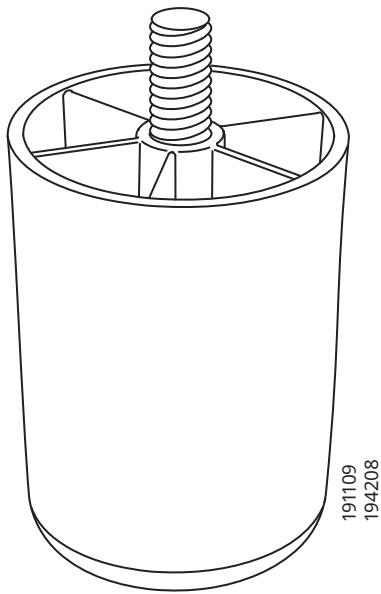
VIMLE

1

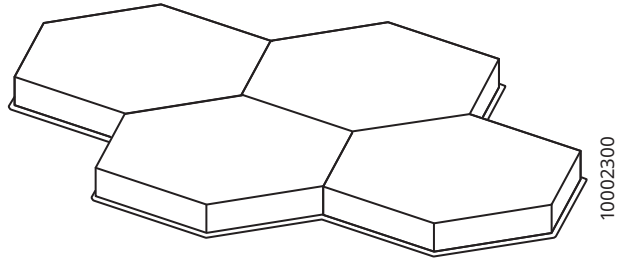


Design and Quality
IKEA of Sweden

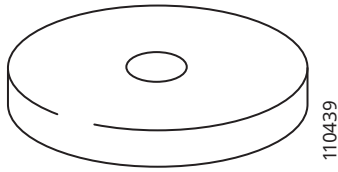




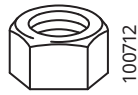
2x



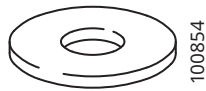
1x



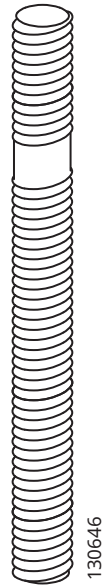
1x



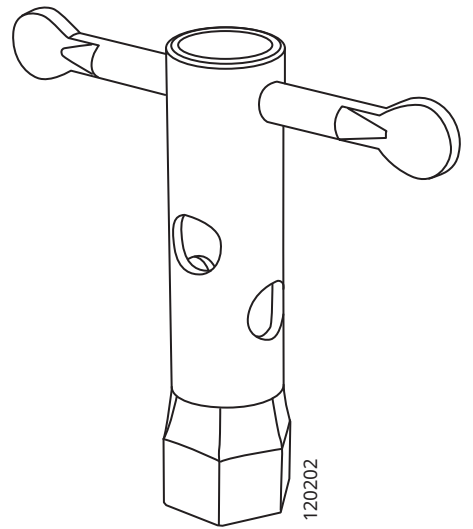
3x



3x

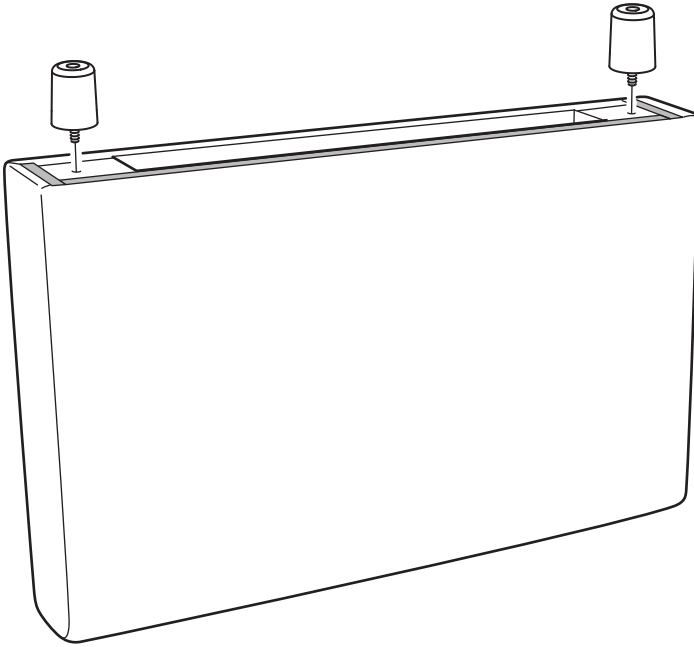
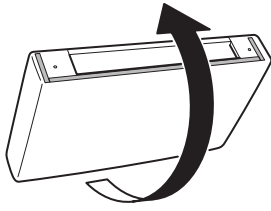


3x

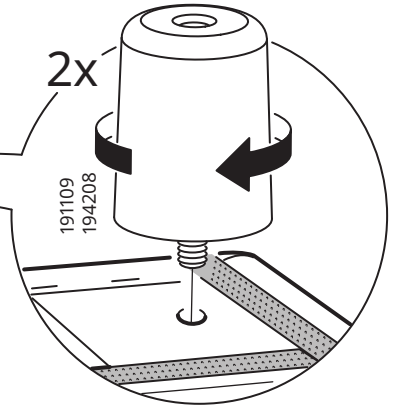


1x

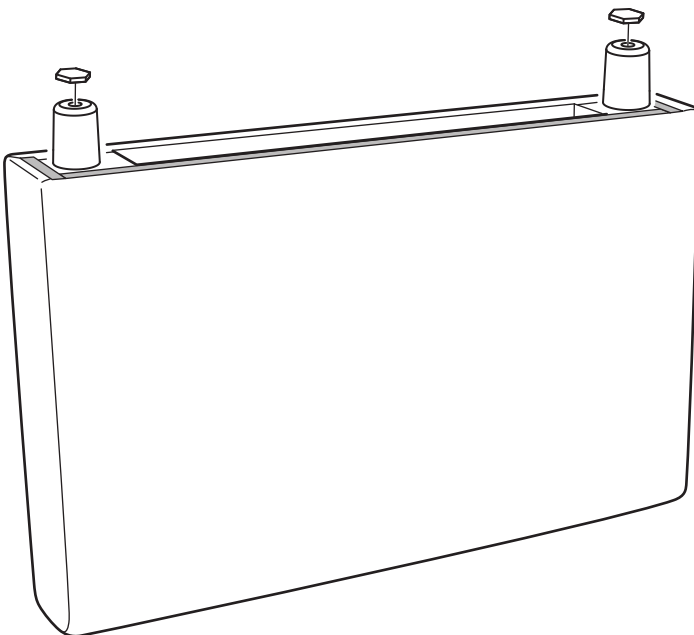
1



2x



2



2x

